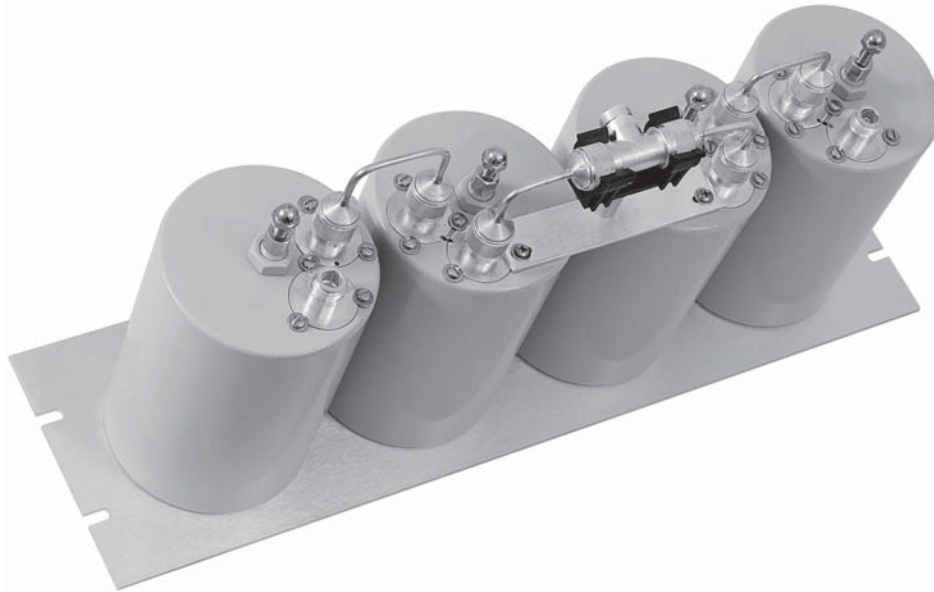


TTPD-7644

BANDPASS / BANDREJECT DUPLEXER



The Telewave TTPD-7644 Base Station duplexer is designed specifically for the 763-869 MHz Public Safety frequency band. Four Bandpass / Band-Reject cavities utilize an exclusive Telewave coupling technique to provide a true bandpass response, while rejecting a specified frequency band.

Maximum transmitter-to-receiver protection is achieved across the full transmitter and receiver bands, with very low insertion loss.

The TTPD-7644 is a compact, rack mounted duplexer on a 5.25" x 19" panel, with a power rating of 650 watts. Heavy duty materials including ¼-inch top and bottom plates add to the rugged design of this duplexer.

All connectors and tuners are silver-plated, and beryllium copper

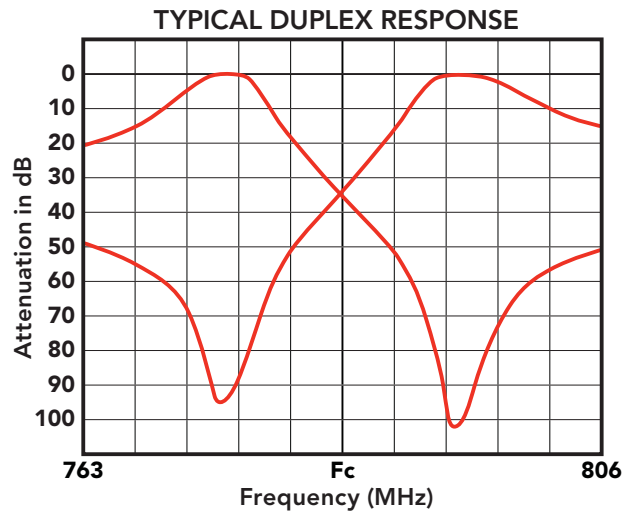
finger stock contactors assure long life, high "Q" performance, and mechanical stability.

Solid copper semi-rigid cable and non-ferromagnetic materials virtually eliminate internal intermod generation.

A threaded Invar tuning rod and temperature compensator provide frequency stability across the full temperature range. All cavity inputs are heavily grounded for greatest static and lightning protection.

All duplexers are tuned and tested with customer-specified frequencies prior to shipping. No further adjustments should be required. The positive locking mechanism makes field-tuning simple if frequency changes are necessary.

TTPD-7644



ELECTRICAL SPECIFICATIONS	
Frequency range	763-869 MHz
Frequency separation (min)	30 MHz (764-806 MHz) / 45 MHz (806-869 MHz)
Maximum input power	650 watts
TX or RX pass bandwidth	5 MHz
Insertion loss at pass bandwidth	
TX (high frequency)	0.5 dB max / 0.35 dB (typ)
RX (low frequency)	0.7 dB max / 0.5 dB (typ)
TX attenuation at RX band (min)	90 dB
RX attenuation at TX band (min)	90 dB
TX-to-RX attenuation (min)	80 dB
VSWR, ref. to 50 ohms (max)	1.5:1
Temperature range	-30°C to +70°C
Number of cavities	4
MECHANICAL SPECIFICATIONS	
Dimensions (HWD) in. (cm)	5.25 x 19 x 11 (13 x 48 x 28)
Mounting	19" Panel
Connectors	N Female
Finish	Acrylic enamel
Net weight lbs (kg)	8.25 (3.7)
Shipping weight lbs (kg)	13 (5.9)

Specify exact transmitter and receiver frequencies when ordering.