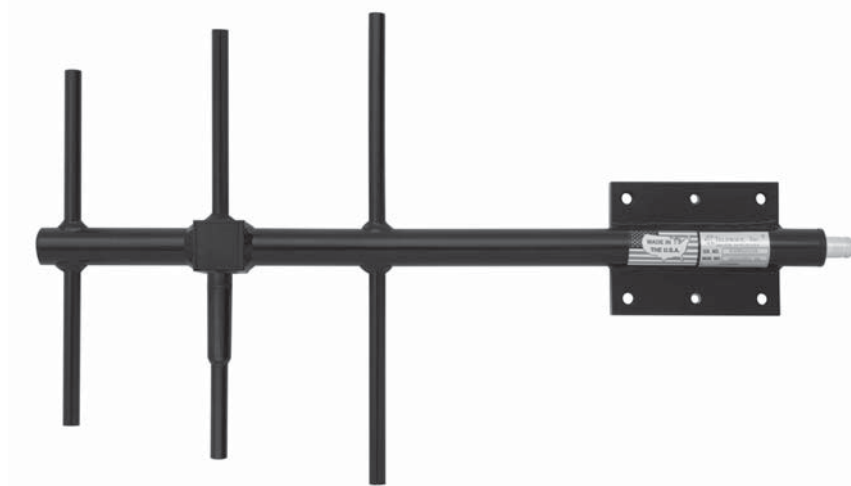


ANT450Y5-WR

YAGI ANTENNA 5 dBd



The Telewave ANT450Y5-WR is a high performance directional antenna, designed especially for point to point as well as point to multipoint applications. This antenna produces 5 dBd forward gain with an excellent front-to-back ratio. Solid aluminum elements with 360° welds prevent intermodulation and provide exceptional strength.

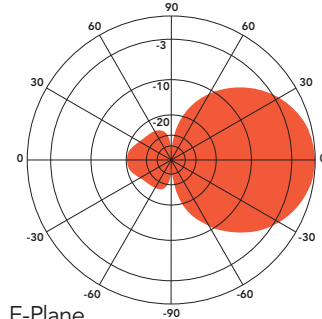
Each antenna is completely protected with our high-tech Txytan™ coating, which provides icing resistance and environmental protection from corrosive gases, ultraviolet radiation, salt spray, acid rain and wind blown abrasives such as desert sand. The feed line is protected within the boom,

and the radiating element is completely sealed against ice and other environmental hazards with a tough, RF-transparent radome.

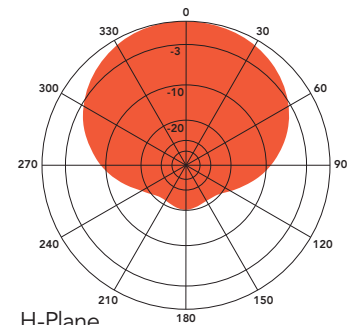
The ANT450Y5-WR includes a welded vertical plate and mast clamp set. A horizontal plate is optional. The clamp set secures the antenna to a vertical mast or tower support from 1.5" - 3.5" O.D.

For installations on angled supports, the "U" mount provides 3 separate planes of rotation to allow almost any required orientation of the antenna. The "U" mount attaches to virtually all supports up to 3.5" in diameter, and can be adapted to flat surfaces and utility poles.

ANT450Y5-WR at 440 MHz

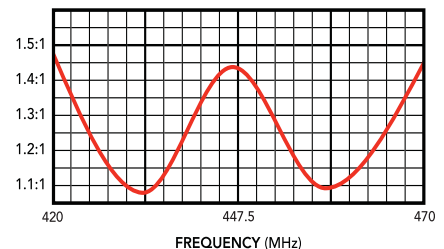


E-Plane
Gain: 5.2 dBd



H-Plane
Gain: 5.2 dBd

TYPICAL VSWR RESPONSE



SPECIFICATIONS			
Frequency (continuous)	420-470 MHz	Elements	3
Gain (typ)	5 dBd	Dimensions (L x H)	24 x 14 in.
Power rating (typ)	500 watts	Antenna weight	5 lb.
Impedance / VSWR	50 ohms / 1.5:1 (max)	Shipping weight	9 lb.
Front to back ratio (min)	18 dB	Wind rating / with 0.5" ice	150 / 125 MPH
Beamwidth V / H	64° / 116°	Exposed area (flat plate equiv.)	0.12 ft. ²
Pattern / Polarization	Directional / Vertical	Lateral thrust at 100 MPH	4.8 lb.
Termination	N Female or 7-16 DIN (opt)	(40 psf - flat plate equiv.)	