

# INSTALLATION GUIDE FOR YAGI ANTENNAS

## WARNING:

For your safety, do not install any antenna near power lines, and carefully follow all installation instructions. If the antenna falls toward or contacts any overhead wires, immediately let go and stay away. Call the utility company for assistance. Always use safety devices for tower climbing. Ensure that the tower structure is well grounded for lightning protection.

## IMPORTANT

### BEFORE ASSEMBLING AND MOUNTING:

Carefully read all instructions and study the diagrams. Check to make sure you have all parts.

### PARTS LIST (Figure 1)

- (1) Antenna assy.
- (2) Mounting plates
- (1) U-bolt
- (2) Hex nuts
- (2) Lock washers

## MOUNTING INSTRUCTIONS

1. Loosely attach mounting plate and antenna clamp plate to the mast with 5/16" U-bolt. Slide the antenna boom end into the groove in the mounting plates, and turn the antenna elements to vertical or horizontal, depending on the requirements of the application. Vertical polarization and orientation is the most common.
2. Secure the mounting plates with supplied hex nuts and lock washers, to provide reasonable pressure to the mast.
3. The antenna input connector is a Type "N" Female. Connect RF feed cable terminated with Type "N" Male to antenna input connector. Secure all cables with cable ties. Fig. 2 illustrates a typical method for connecting the RF cable, with a feed cable service loop.
4. Be sure to properly seal the input connector with waterproof tape or other sealing material. See Telewave TWDS-0502 for a recommended method of connector sealing.

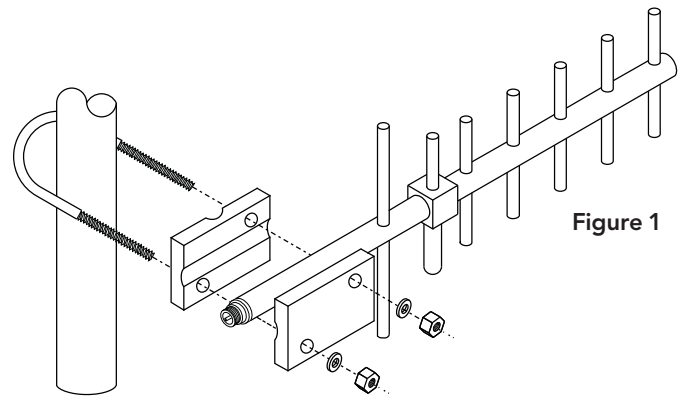


Figure 1

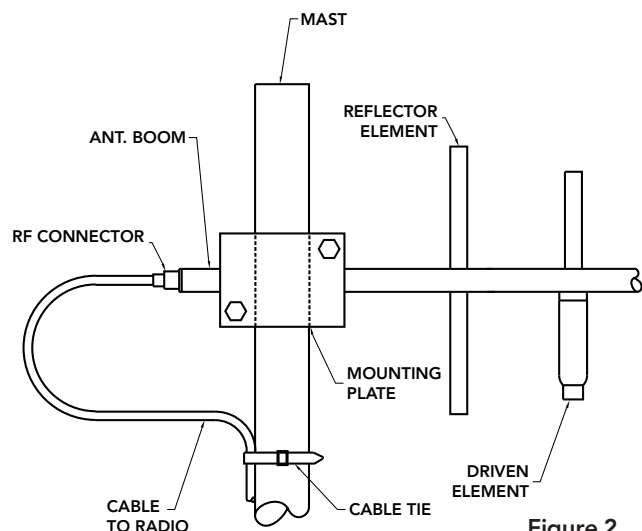


Figure 2