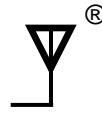


TELEWAVE, INC.



Wireless Communications Manufacturer Since 1972

Antennas • Combining Systems Power Monitoring • Filters 20 MHz - 3000 MHz

LIST PRICES • July 2010

Product Information	Section	Page
• Transmitter Combiners - Rack Mount and Panels	1	5-20
• 150 MHz Combiners	1	6-9
• 220 MHz Combiners	1	9
• 350 MHz Combiners	1	10
• 450 MHz Combiners	1	10-14
• 760 MHz Combiners	1	15
• 860 MHz Combiners	1	16-17
• 900 MHz Combiners	1	18
• Hybrid Combiners • Couplers	1	19
• Pass/Notch Combiners	1	20
• Racks and Cabinets	1	20
• Receiver Panels • Splitters	2	21-24
• Receiver Preamplifiers	2	25
• Receiver Preselectors	2	26-28
• Tower Top Preamplifiers	2	29
• Power Monitoring	3	30
• Wattmeters • Loads • Adaptors	3	31
• Isolators	4	32
• Intermodulation Suppression	4	33
• High Q Cavities	5	34-37
• Filters - Low Pass • High Pass • Crystal	5	38
• Duplexers - Base and Mobile	6	39-41
• Antennas and Mounting Hardware - Base Station	7	42-47
• Power Dividers	7	48
• Crossband Couplers • Junctions • EZ-Match	7	49
• Cable Assemblies • Connectors	7	50

Wacom owners: contact us for repair or expansion of your products

Telewave is an ISO 9001:2008 certified organization

Contents Copyright © 2010 Telewave, Inc.

TWDS-0007 Rev. 12/10/10

Telewave, Inc. 660 Giguere Court San Jose, CA 95133
Toll Free: **1-800-331-3396** Direct: 408-929-4400 Fax: 408-929-4080

<http://www.telewave.com>

Email: sales@telewave.com

TELEWAVE, INC. - TERMS & CONDITIONS - Effective July 2010

TERMS: All prices are F.O.B. Seller's plant, San Jose, CA. Domestic packing is included. Export packing or packing that has special requirements will be provided for an extra charge.

PRICES: Prices quoted do not include Federal, State, Local or Excise Taxes. Applicable taxes in effect at the time of shipment will be added unless the buyer has submitted a Certificate of Exemption to the seller. Prices are subject to change without notice. Written price quotations will remain valid for 60 days. The minimum invoice is \$200.00.

ACCEPTANCE: Orders will be valid only when accepted in writing at Seller's office, 660 Giguere Court, San Jose, California. The contract arising therefrom shall be deemed to have been entered into in the State of California, and its interpretation, construction, and the remedies for its enforcement shall be governed in accordance with California Law.

CREDIT: Orders are subject to approval by the seller's credit department. Orders that are not on open account will be shipped prepaid or C.O.D. A confirmed irrevocable letter of credit will be accepted on international orders.

DELIVERY: Delivery times quoted are based on date the order is accepted by the seller. The Seller is not liable for delays or inability to fulfill contractual obligations when the causes thereof are beyond the reasonable control of the seller.

SHIPPING: All shipments will be collect unless otherwise specified by the buyer and approved by the seller. The buyer's choice of shipper and routing will be used when it is practical. Shipments are routed according to the best judgment of the seller. The seller is not responsible for selecting the least expensive or the fastest routing. Quoted shipping costs are estimates only and not binding on the seller.

CLAIMS: Claims for shortages must be made to the seller within 30 calendar days after date of shipment from the seller's plant. All goods become the property of the buyer upon delivery to the carrier. Claims for goods lost in transit or damage must be made immediately against carrier by the Buyer.

Any request for a change order from the Buyers shall be in writing and no change shall be made pursuant to this clause unless agreed to in writing and signed by Seller and Buyer. If a change causes an increase or decrease in the cost or the time required in the performance of any part of the work, an equitable adjustment shall be made in the contract price and schedule. Seller shall have no obligation to commence any extra or changed work without written agreement as to adjustments to contract price and delivery schedules effective thereby.

Written authorization from Telewave, Inc. must be obtained before returning material. A credit, not greater than 80% of the purchase price of the goods, excluding taxes and shipping, will be allowed. The equipment must be unused and received prepaid in new condition. Any refurbishing of the equipment that is required to return it to an acceptable condition will be charged against the requested credit at our current repair rate. Credit for the returned material will be issued to the original buyer. Cancellation of acknowledged orders by the Buyer will be accepted only upon terms which protect Seller against loss and which are accepted by Seller.

SPECIFICATIONS: All specifications of the seller's products are subject to change without notice. We reserve the right to discontinue the manufacture of any product. We reserve the right to modify any product without the consideration of compatibility of previously manufactured products.

PRODUCT WARRANTY

Products sold by Telewave, Inc. and covered by this Warranty are warranted to be free from defects in material and workmanship at the time of and for the period specified below after delivery to the Buyer. Seller's entire warranty obligation is limited to making adjustments by repair, replacement, or refunding the purchase price of any product which is returned to the Seller as provided below within the specified period from the date of shipment by the Seller. In no event shall Seller be liable for direct, special, or consequential damages for breach of warranty.

WARRANTY PERIODS:

Antennas and antenna mounting hardware: 5 years

All other products: 1 year

Adjustment will not be allowed for products which have been damaged by lightning, subjected to abuse, improper application or installation, alteration or accident, or negligence in use, storage, transportation or handling. Alteration or removal of the serial number or identification markings voids the Warranty. Seller shall have the right of final determination as to the existence and cause of a defect, whether adjustment will be allowed, and if allowed, whether adjustment will be by repair, replacement, or refund. Where adjustment is not allowed, a charge of 5% of the original purchase price will be made to the Buyer to cover the Seller's cost of inspection and handling.

Shipping and packaging instructions must be obtained from the Seller before products are returned for adjustment. The Buyer will pay for packing, transportation, and transit insurance costs for returned products. The Seller reserves the right to discontinue models at any time or change specifications, design, or price without notice and without incurring any obligation. Products will be returned to the Buyer with transportation cost collect.

Subject to the provisions of its "Patent Indemnity" clause, the Seller also warrants that it has the right to sell its products, that the Buyer shall have and enjoy quiet possession thereof as against any lawful claims existing at the time of the sale by the Seller, and that said products are free from any charge of encumbrance in favor of third persons existing at the time of sale by the Seller.

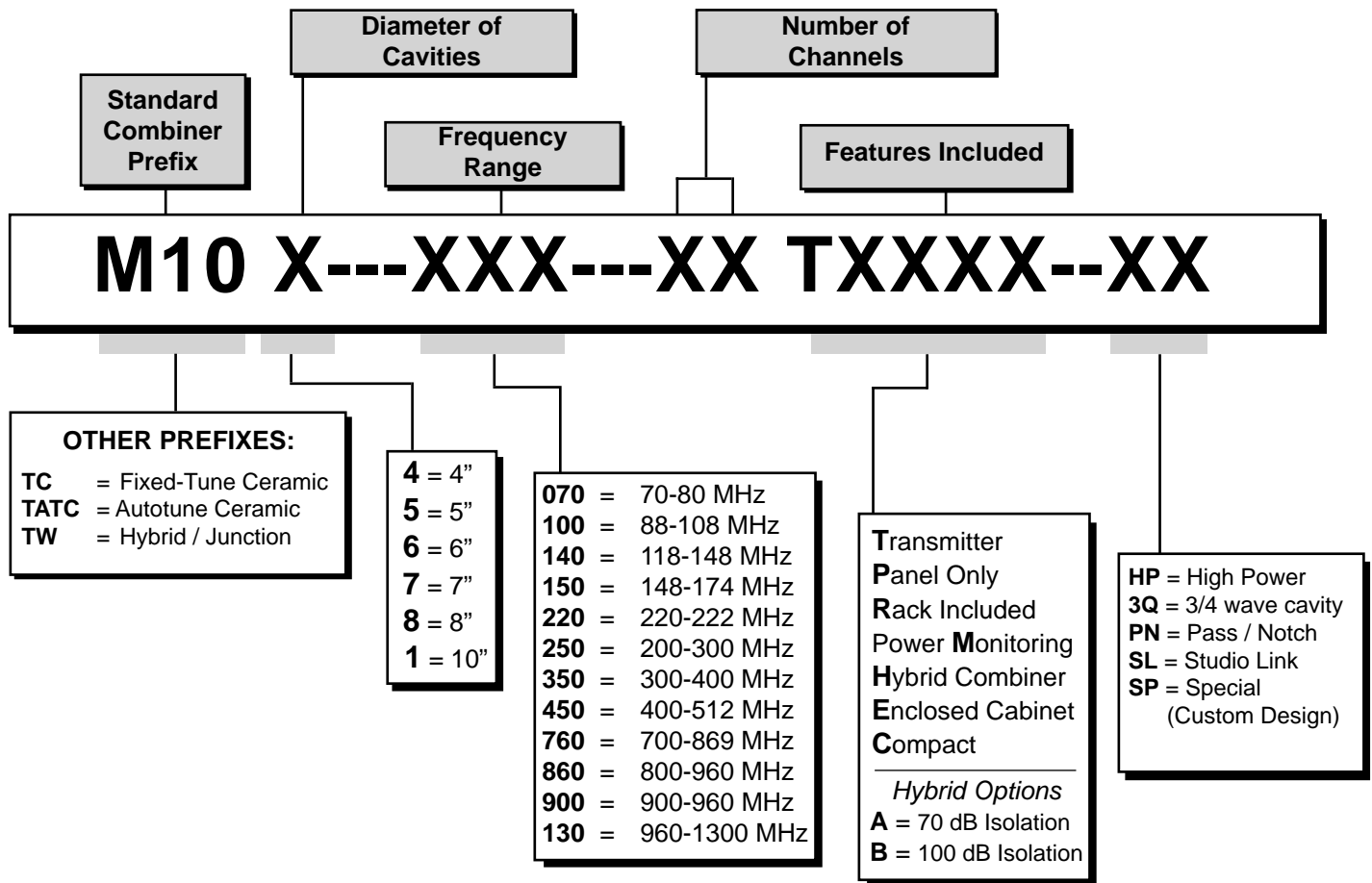
The foregoing constitutes the Seller's entire warranty, express, implied or statutory with respect to its products and states the full extent of its liability for breach of Warranty and for damages, whether direct, special or consequential resulting from any such breach. No change whatsoever thereto shall be binding upon the seller unless made in writing and signed by a duly authorized representative of the Seller.

RETURN / RMA PROCEDURE:

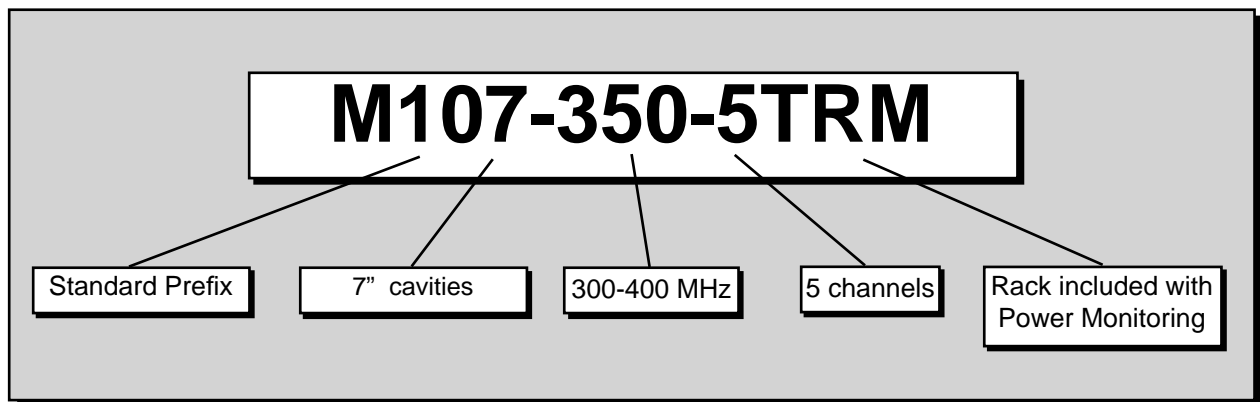
Please contact Telewave via phone, fax, or email to discuss any product issues with a sales engineer. Many issues occur due to incorrect installation, misconfiguration or irregularities within an existing system, and these can often be resolved at no charge without return of products.

1. Contact Telewave for Technical Assistance at sales@telewave.com or 1-800-331-3396.
2. Telewave will transfer the call or email to the appropriate department.
3. If it is determined that the product(s) should be returned, the Telewave RMA Dept will ask customer to provide billing and return shipping addresses, product model and serial number (if applicable), date of purchase, and where item was purchased.
4. Customer ships product(s) back to Telewave at customer's expense:
 - Write RMA number on the outside of the box(es)
 - Include a description of the problem with the product(s)
 - Ship via a trackable shipping method (UPS, Fedex, etc.)
 - Retain proof of shipment and tracking information
5. Product(s) are received by Telewave and evaluated by the appropriate department. Customer is contacted by RMA department before any charges are incurred.
6. Telewave reserves the right to charge for parts, labor, and freight in the event that the issue is not covered under warranty.
7. Telewave will return original, repaired or replacement item at customer's expense unless covered by warranty.

COMBINER MODEL NUMBER NOMENCLATURE



EXAMPLE:



NOTES:

Standard Combiners ship in a 19" Steel Rack, or as panels for 19" rack mounting.
 Self contained combiners with 10" cavities are available in 24" welded steel racks.
 Telewave can build to order. Contact Telewave for special applications.
 M101-860 combiners utilize 8" cavities.

SECTION 1**M104-150 SERIES****COMPACT EXPANDABLE LOW-LOSS COMBINERS - 148-170 MHz
19" RACK MOUNT PANELS - 4" CAVITIES**

Available with up to 4 channels per panel in only 8.75" of rack space. 4" High "Q" cavities.
Expandable with M104-150-1T expansion kits.

MODEL	CH.	DESCRIPTION	FREQ. RANGE	PWR/ CHAN	LIST PRICE
M104-150-1TPC	1	Compact transmitter combiner panel	148-170 MHz	100 watts	\$2,544.00
M104-150-2TPC	2				\$4,312.00
M104-150-3TPC	3				\$6,078.00
M104-150-4TPC	4				\$7,849.00
M104-150-5TPC	5	Compact transmitter combiner - 2 panels			\$10,281.00
M104-150-6TPC	6				\$12,048.00
M104-150-7TPC	7				\$13,816.00
M104-150-8TPC	8				\$15,584.00

EXPANSION KIT

MODEL	DESCRIPTION	LIST PRICE
M104-150-1T	1 channel expansion kit, 148-170 MHz. Must specify frequency and position. Includes cavity, isolator, hardware and cables, as well as factory simulation and tuning to ensure system antenna match.	\$2,021.00

SECTION 1**M108-150 SERIES****EXPANDABLE LOW-LOSS COMBINERS - 148-174 MHz****19" RACK - 8" CAVITIES**

Available with up to 8 channels per rack. 8" High "Q" cavities for close spacing. Includes 19" rack, power monitoring, wattmeter panel, and remote keying. Cavities are mounted vertically using rails, or horizontally on a 19" panel. Expandable with M108-150-1T expansion kits.

MODEL	CH.	DESCRIPTION	FREQ. RANGE	PWR/ CHAN	LIST PRICE
M108-150-1TRM	1	Rack Mounted Transmitter Combiner	148-174 MHz	150 watts	\$5,306.00
M108-150-2TRM	2				\$7,172.00
M108-150-3TRM	3				\$8,971.00
M108-150-4TRM	4				\$10,770.00
M108-150-5TRM	5				\$13,039.00
M108-150-6TRM	6				\$14,838.00
M108-150-7TRM	7				\$16,638.00
M108-150-8TRM	8				\$18,437.00
M108-150-1T	1 channel expansion kit, 148-174 MHz. Must specify frequency and position. Includes cavity, isolator, power monitor, hardware and cables, as well as factory simulation and tuning to ensure system antenna match.				\$2,632.00
DPM	Delete power monitoring, wattmeter panel and remote keying.				(\$358.00)

SECTION 1**M101-150 SERIES****EXPANDABLE LOW-LOSS COMBINERS - 148-174 MHz
19" RACK - 10" CAVITIES**

Available with up to 10 channels per rack. 10" High "Q" cavities for close spacing. Includes 19" rack, power monitoring, wattmeter panel, and remote keying. Expandable with M101-150-1T-19 expansion kits.

MODEL	CH.	DESCRIPTION	FREQ. RANGE	PWR/ CHAN	LIST PRICE
M101-150-1TRM-19	1	Rack Mounted Transmitter Combiner	148-174 MHz	125 watts	\$5,544.00
M101-150-2TRM-19	2				\$7,334.00
M101-150-3TRM-19	3				\$9,125.00
M101-150-4TRM-19	4				\$10,914.00
M101-150-5TRM-19	5				\$13,177.00
M101-150-6TRM-19	6				\$14,968.00
M101-150-7TRM-19	7				\$16,757.00
M101-150-8TRM-19	8				\$18,548.00
M101-150-9TRM-19	9				\$20,338.00
M101-150-10TRM-19	10				\$22,129.00
M101-150-1T-19		1 channel expansion kit, 148-174 MHz. Must specify frequency and position. Includes cavity, isolator, power monitor, hardware and cables, as well as factory simulation and tuning to ensure system antenna match.		\$2,793.00	
DPM		Delete power monitoring, wattmeter panel and remote keying.		(\$358.00)	

SECTION 1**M101-150 / M108-220 SERIES****EXPANDABLE LOW-LOSS COMBINERS - 148-174 MHz****24" RACK - 10" CAVITIES**

Complete self-contained combining system. Available in 8 or 12 channel racks. Expandable to 12 channels with M101-150-1T expansion kits. Includes 24" welded rack, power monitoring, wattmeter panel, and remote keying.

MODEL	CH.	DESCRIPTION	FREQ. RANGE	PWR/ CHAN	LIST PRICE
M101-150-1TRM	1	24" Rack Mounted Transmitter Combiner	148-174 MHz	150 watts	\$5,073.00
M101-150-2TRM	2				\$7,537.00
M101-150-3TRM	3				\$10,001.00
M101-150-4TRM	4				\$12,465.00
M101-150-5TRM	5				\$14,929.00
M101-150-6TRM	6				\$17,392.00
M101-150-7TRM	7				\$19,856.00
M101-150-8TRM	8				\$22,320.00
M101-150-9TRM	9				\$24,783.00
M101-150-10TRM	10				\$27,247.00
M101-150-11TRM	11				\$29,710.00
M101-150-12TRM	12				\$32,174.00
M101-150-1T	1 channel expansion kit, 148-174 MHz. Must specify frequency and position. Includes cavity, isolator, power monitor, hardware and cables, as well as factory simulation and tuning to ensure system antenna match.				\$2,793.00
DPM	Delete power monitoring, wattmeter panel and remote keying.				(\$358.00)

5 CHANNEL LOW-LOSS COMBINER SYSTEM - 220-222 MHz**19" RACK - 8" CAVITIES**

Complete combining system with duplexer, preselector and receiver multicoupler. Includes TBR72-19B rack, power monitoring, wattmeter panel, and remote keying.

MODEL	CH.	DESCRIPTION	FREQ. RANGE	PWR/ CHAN	LIST PRICE
M108-220-5TRDS	5	Rack Mounted Transmitter Combiner	220-222 MHz	125 watts	\$17,802.00
DPM	Delete power monitoring, wattmeter panel and remote keying.				(\$358.00)

SECTION 1**M107-350 / M106-450 SERIES****EXPANDABLE LOW-LOSS COMBINERS - 300-400 MHz****19" RACK - 7" CAVITIES**

Includes TBR72-19B or TBR84-19B rack, power monitoring, wattmeter panel, and remote keying.
Expandable to 14 channels with M107-350-1T expansion kits.

MODEL	CH.	DESCRIPTION	FREQ. RANGE	PWR/ CHAN	LIST PRICE
M107-350-1TRM	1	Rack Mounted Transmitter Combiner	300-400 MHz	150 watts	\$4,925.00
M107-350-2TRM	2				\$7,235.00
M107-350-3TRM	3				\$9,544.00
M107-350-4TRM	4				\$11,854.00
M107-350-5TRM	5				\$14,161.00
M107-350-6TRM	6				\$16,471.00
M107-350-7TRM	7				\$18,780.00
M107-350-8TRM	8				\$21,090.00
M107-350-9TRM	9				\$23,399.00
M107-350-10TRM	10				\$25,709.00
M107-350-1T		1 channel expansion kit, 300-400 MHz. Must specify frequency and position. Includes cavity, isolator, power monitor, hardware and cables, as well as factory simulation and tuning to ensure system antenna match.			\$2,632.00
DPM		Delete power monitoring, wattmeter panel and remote keying.			(\$358.00)

COMPACT EXPANDABLE LOW-LOSS COMBINERS - 400-512 MHz**19" RACK MOUNT PANELS - 6" CAVITIES**

Available with up to 4 channels per panel in only 12.25" of rack space. 6" High "Q" cavities.
Expandable with M106-150-1T expansion kits.

MODEL	CH.	DESCRIPTION	FREQ. RANGE	PWR/ CHAN	LIST PRICE		
M106-450-1TPC	1	Compact Transmitter Combiner Panel	400-512 MHz	150 watts	\$2,888.00		
M106-450-2TPC	2				\$4,978.00		
M106-450-3TPC	3				\$7,069.00		
M106-450-4TPC	4				\$9,160.00		
M106-450-5TPC	5	Compact Transmitter Combiner - 2 Panels			400-512 MHz	150 watts	\$11,251.00
M106-450-6TPC	6						\$13,342.00
M106-450-7TPC	7						\$15,434.00
M106-450-8TPC	8						\$17,524.00
M106-450-1T		1 channel expansion kit, 400-512 MHz. Must specify frequency and position. Includes cavity, isolator, power monitor, hardware and cables, as well as factory simulation and tuning to ensure system antenna match.					\$2,632.00

SECTION 1**M107-450 SERIES****EXPANDABLE LOW-LOSS COMBINER PANELS - 400-512 MHZ
19" RACK MOUNT PANELS - 7" CAVITIES**

Available with 4 or 6 Channels per panel. Expandable with M107-450-1T expansion kits.

MODEL	CH.	DESCRIPTION	FREQ. RANGE	PWR/ CHAN	LIST PRICE		
M107-450-1TP	1	Compact Transmitter Combiner Panel	400-512 MHz	150 watts	\$2,888.00		
M107-450-2TP	2				\$4,978.00		
M107-450-3TP	3				\$7,069.00		
M107-450-4TP	4				\$9,160.00		
M107-450-5TP	5	Compact Transmitter Combiner - 2 Panels					\$11,251.00
M107-450-6TP	6				\$13,342.00		
M107-450-7TP	7				\$15,434.00		
M107-450-8TP	8	Compact Transmitter Combiner - 3 Panels					\$17,524.00
M107-450-9TP	9				\$19,615.00		
M107-450-10TP	10				\$21,706.00		
M107-450-1T	1 channel expansion kit, 400-512 MHz. Must specify frequency and position.				\$2,632.00		
TWL-100P	Panel mount 100 Watt Load for Isolator 2nd Stage (per channel)				\$493.00		
TBR84-19B	Steel Rack for System Expansion 84" H x 19" W				\$620.00		

**EXPANDABLE LOW-LOSS COMBINERS - 400-512 MHZ
19" RACK - 7" CAVITIES**

Available with up to 10 channels per rack. Expandable with M107-450-1T expansion kits.

Includes 19" rack, power monitoring, wattmeter panel, and remote keying.

MODEL	CH.	DESCRIPTION	FREQ. RANGE	PWR/ CHAN	LIST PRICE		
M107-450-1TRM	1	Compact Transmitter Combiner Panel	400-512 MHz	150 watts	\$4,925.00		
M107-450-2TRM	2				\$7,235.00		
M107-450-3TRM	3				\$9,544.00		
M107-450-4TRM	4				\$11,854.00		
M107-450-5TRM	5	Compact Transmitter Combiner - 2 Panels					\$14,161.00
M107-450-6TRM	6				\$16,471.00		
M107-450-7TRM	7				\$18,780.00		
M107-450-8TRM	8	Compact Transmitter Combiner - 3 Panels					\$21,090.00
M107-450-9TRM	9				\$23,399.00		
M107-450-10TRM	10				\$25,709.00		
M107-450-1T	1 channel expansion kit, 400-512 MHz. Must specify frequency and position. Includes cavity, isolator, power monitor, hardware and cables, as well as factory simulation and tuning to ensure system antenna match.				\$2,632.00		
DPM	Delete power monitoring, wattmeter panel and remote keying.				(\$358.00)		

SECTION 1**M108-450 SERIES****EXPANDABLE LOW-LOSS COMBINERS - 400-512 MHz****19" RACK - 8" CAVITIES**

Available with up to 10 channels per rack. Includes 19" rack, power monitoring, wattmeter panel, and remote keying.
Expandable with M108-450-1T expansion kits.

MODEL	CH.	DESCRIPTION	FREQ. RANGE	PWR/ CHAN	LIST PRICE
M108-450-1TRM	1	Rack Mounted Transmitter Combiner	400-512 MHz	150 watts	\$5,939.00
M108-450-2TRM	2				\$7,769.00
M108-450-3TRM	3				\$9,599.00
M108-450-4TRM	4				\$11,430.00
M108-450-5TRM	5				\$13,259.00
M108-450-6TRM	6				\$15,090.00
M108-450-7TRM	7				\$16,919.00
M108-450-8TRM	8				\$18,751.00
M108-450-9TRM	9				\$20,580.00
M108-450-10TRM	10				\$22,410.00
M108-450-1T		1 channel expansion kit, 400-512 MHz. Must specify frequency and position. Includes cavity, isolator, power monitor, hardware and cables, as well as factory simulation and tuning to ensure system antenna match.			\$2,632.00
DPM		Delete power monitoring, wattmeter panel and remote keying.			(\$358.00)

EXPANDABLE LOW-LOSS COMBINERS - 400-512 MHz**19" RACK - 8" 3/4 WAVE CAVITIES**

Available with up to 8 channels per rack. 3/4 wave cavities for close spacing. Includes 19" rack, power monitoring, wattmeter panel, and remote keying. Cavities are mounted vertically using rails, or horizontally on a 19" panel.
Expandable with M108-150-1T-3Q expansion kits.

MODEL	CH.	DESCRIPTION	FREQ. RANGE	PWR/ CHAN	LIST PRICE
M108450-1TRM3Q	1	Rack Mounted Transmitter Combiner	400-512 MHz	150 watts	\$5,306.00
M108450-2TRM3Q	2				\$7,172.00
M108450-3TRM3Q	3				\$8,971.00
M108450-4TRM3Q	4				\$10,770.00
M108450-5TRM3Q	5				\$13,039.00
M108450-6TRM3Q	6				\$14,838.00
M108450-7TRM3Q	7				\$16,638.00
M108450-8TRM3Q	8				\$18,437.00
M108-450-1T-3Q		1 channel expansion kit, 400-512 MHz, 3/4 wave. Specify frequency and position. Includes cavity, isolator, power monitor, hardware and cables, and factory simulation and tuning to ensure system antenna match.			\$2,632.00
DPM		Delete power monitoring, wattmeter panel and remote keying.			(\$358.00)

SECTION 1**M101-450 SERIES****EXPANDABLE CLOSE SPACING LOW-LOSS COMBINERS - 400-512 MHZ
19" RACK - 10" 3/4 WAVE CAVITIES**

Available with up to 10 channels per rack. 3/4 wave cavities for close spacing. Includes 19" rack, power monitoring, wattmeter panel, and remote keying. Expandable with M101-450-1T-19 expansion kits.

MODEL	CH.	DESCRIPTION	FREQ. RANGE	PWR/ CHAN	LIST PRICE
M101450-1TRM193Q	1	Rack Mounted Transmitter Combiner	400-512 MHz	125 watts	\$5,544.00
M101450-2TRM193Q	2				\$7,334.00
M101450-3TRM193Q	3				\$9,125.00
M101450-4TRM193Q	4				\$10,914.00
M101450-5TRM193Q	5				\$13,177.00
M101450-6TRM193Q	6				\$14,968.00
M101450-7TRM193Q	7				\$16,757.00
M101450-8TRM193Q	8				\$18,548.00
M101450-9TRM193Q	9				\$20,338.00
M101450-10TRM193Q	10				\$22,129.00
M101450-1T3Q	1 channel expansion kit, 400-512 MHz, 3/4 wave. Specify frequency and position. Includes cavity, isolator, power monitor, hardware and cables, as well as factory simulation and tuning to ensure system antenna match.			\$2,793.00	
DPM	Delete power monitoring, wattmeter panel and remote keying.			(\$358.00)	

SECTION 1**M101-450 SERIES****EXPANDABLE 450 MHz LOW-LOSS COMBINERS - 400-512 MHz
24" RACK - 10" CAVITIES**

Available in 8 or 12 channel racks. Expandable to 12 channels with M101-450-1T expansion kits.
Includes 24" welded rack, power monitoring, wattmeter panel, and remote keying.

MODEL	CH.	DESCRIPTION	FREQ. RANGE	PWR/ CHAN	LIST PRICE
M101-450-1TRM	1	24" Rack Mounted Transmitter Combiner	400-512 MHz	150 watts	\$4,925.00
M101-450-2TRM	2				\$7,235.00
M101-450-3TRM	3				\$9,544.00
M101-450-4TRM	4				\$11,854.00
M101-450-5TRM	5				\$14,161.00
M101-450-6TRM	6				\$16,471.00
M101-450-7TRM	7				\$18,780.00
M101-450-8TRM	8				\$21,090.00
M101-450-9TRM	9				\$23,399.00
M101-450-10TRM	10				\$25,709.00
M101-450-11TRM	11				\$28,018.00
M101-450-12TRM	12				\$30,327.00
M101-450-1T	1 channel expansion kit, 400-512 MHz. Specify frequency and position. Includes cavity, isolator, power monitor, mounting hardware and cables, as well as factory simulation and tuning to ensure system antenna match.				\$2,632.00
DPM	Delete power monitoring, wattmeter panel and remote keying.				(\$358.00)

**EXPANDABLE CLOSE SPACING LOW-LOSS COMBINERS - 400-512 MHz
24" RACK - 10" 3/4 WAVE CAVITIES**

Available in 8 or 12 channel racks. Includes 24" welded rack, power monitoring, wattmeter panel, and remote keying.

MODEL	CH.	DESCRIPTION	FREQ. RANGE	PWR/ CHAN	LIST PRICE
M101450-1TRM3Q	1	24" Rack Mounted Transmitter Combiner	400-512 MHz	150 watts	\$5,073.00
M101450-2TRM3Q	2				\$7,537.00
M101450-3TRM3Q	3				\$10,001.00
M101450-4TRM3Q	4				\$12,465.00
M101450-5TRM3Q	5				\$14,929.00
M101450-6TRM3Q	6				\$17,392.00
M101450-7TRM3Q	7				\$19,856.00
M101450-8TRM3Q	8				\$22,320.00
M101450-9TRM3Q	9				\$24,783.00
M101450-10TRM3Q	10				\$27,247.00
M101450-11TRM3Q	11				\$29,710.00
M101450-12TRM3Q	12				\$32,174.00
M101450-1T3Q	1 channel expansion kit, 400-512 MHz, 3/4 wave. Specify frequency / position.				\$2,793.00
DPM	Delete power monitoring, wattmeter panel and remote keying.				(\$358.00)

SECTION 1**M108-760 SERIES****EXPANDABLE TRUNKING LOW-LOSS COMBINERS - 746-806, 806-869 MHz
19" RACK - 8" 3/4 WAVE CAVITIES**

8" cavities for close spacing. Available in 5 or 10 channel racks. Expandable with M108-760-1T/5T expansion kits. Includes TBR72-19B rack, power monitoring, wattmeter panel, and remote keying. Each combiner covers a single band as a modular unit on a 24.5" panel.

MODEL	CH.	DESCRIPTION	FREQ. RANGE	PWR/ CHAN	LIST PRICE
M108-760-1TRM	1	Rack Mounted Transmitter Combiner	746-806 MHz 806-869 MHz	150 watts	\$5,145.00
M108-760-2TRM	2				\$7,608.00
M108-760-3TRM	3				\$10,071.00
M108-760-4TRM	4				\$12,533.00
M108-760-5TRM	5				\$14,996.00
M108-760-6TRM	6				\$18,241.00
M108-760-7TRM	7				\$20,704.00
M108-760-8TRM	8				\$23,167.00
M108-760-9TRM	9				\$25,630.00
M108-760-10TRM	10				\$28,093.00
M108-760-1T	1 channel expansion kit, 746-869 MHz. Specify frequency and position. Includes cavity, isolator, power monitor, mounting hardware and cables.				\$2,632.00
M108-760-5T	5 channel expansion kit, 746-869 MHz. Adds 5 channels to existing system. Includes panel, and expansion harness to connect existing panel.				\$11,548.00
DPM	Delete power monitoring, wattmeter panel and remote keying.				(\$358.00)

SECTION 1**M106-860 SERIES****COMPACT EXPANDABLE TRUNKING COMBINERS - 851-869 MHz
19" RACK MOUNT PANELS - 6" CAVITIES**

M106 series combiner panels allow up to 5 channels to be installed on a 12.25" H x 19" W panel.

Each channel includes cavity, dual isolator, and loads (60 watt load on second stage load port).

Power monitoring and 19" racks available. Expandable to 10 channels with M106-860-1T/5T expansion kits.

MODEL	CH.	DESCRIPTION	FREQ. RANGE	PWR/ CHAN	LIST PRICE
M106-860-1TP	1	Compact Transmitter Combiner Panel	851-869 MHz	100 watts	\$2,676.00
M106-860-2TP	2				\$4,621.00
M106-860-3TP	3				\$6,564.00
M106-860-4TP	4				\$8,510.00
M106-860-5TP	5				\$10,456.00
M106-860-6TP	6	Compact Transmitter Combiner - 2 Panels	851-869 MHz	100 watts	\$13,132.00
M106-860-7TP	7				\$15,077.00
M106-860-8TP	8				\$17,021.00
M106-860-1T	1 channel expansion kit, 851-869 MHz. Must specify frequency and position.				\$1,945.00

**COMPACT HIGH POWER TRUNKING COMBINERS - 851-869 MHz
19" RACK - 7" CAVITIES**

Each compact high power combiner includes TBR72-19B rack, power monitoring, wattmeter panel,

-50 dB tuning sampler on 2nd isolator output stage 100 watt load, and remote keying. 17.5" panel.

MODEL	CH.	DESCRIPTION	FREQ. RANGE	PWR/ CHAN	LIST PRICE
M107860-1TRMHP	1	Rack Mounted High Power Combiner	851-869 MHz	175 watts	\$6,532.00
M107860-2TRMHP	2				\$9,242.00
M107860-3TRMHP	3				\$11,954.00
M107860-4TRMHP	4				\$14,665.00
M107860-5TRMHP	5				\$17,377.00
M107860-6TRMHP	6				\$20,087.00
M107860-7TRMHP	7				\$22,799.00
M107860-8TRMHP	8				\$25,510.00
M107860-9TRMHP	9				\$28,221.00
M107860-10TRMHP	10				\$30,932.00
M107860-1THP	1 channel expansion kit, 851-869 MHz. Must specify frequency and position.				\$2,893.00
M107860-5THP	5 channel expansion kit, 851-869 MHz. Expands 5 channel system to 10 ch.				\$12,702.00
TWCH-393T	High Power 7-16 DIN Tee Harness. Includes 7-16 DIN Tee Connector, and (2) RG-393 7-16 DIN cables to interconnect two 5 channel combiners.				\$1,040.00
TWL-125CS	125 Watt Isolator 2nd stage load with temp. sensing TX cut-off (each channel).				\$340.00
DPM	Delete power monitoring, wattmeter panel and remote keying.				(\$358.00)

SECTION 1**M101-860 SERIES, CERAMIC SERIES****EXPANDABLE TRUNKING LOW-LOSS COMBINERS - 806-869 MHz****19" RACK - 8" CAVITIES**

8" cavities for close spacing. Available in 5 or 10 channel racks. Expandable with M101-860-1T/5T expansion kits. Includes TBR72-19B rack, power monitoring, wattmeter panel, and remote keying.

MODEL	CH.	DESCRIPTION	FREQ. RANGE	PWR/ CHAN	LIST PRICE
M101-860-1TRM	1	Rack Mounted Transmitter Combiner	806-869 MHz	150 watts	\$5,939.00
M101-860-2TRM	2				\$8,402.00
M101-860-3TRM	3				\$10,866.00
M101-860-4TRM	4				\$13,331.00
M101-860-5TRM	5				\$15,794.00
M101-860-6TRM	6				\$18,258.00
M101-860-7TRM	7				\$20,722.00
M101-860-8TRM	8				\$23,185.00
M101-860-9TRM	9				\$25,649.00
M101-860-10TRM	10				\$28,112.00
M101-860-1T	1 channel expansion kit, 806-869 MHz. Specify frequency and position. Includes cavity, isolator, power monitor, mounting hardware and cables.				\$2,632.00
M101-860-5T	5 channel expansion kit, 806-869 MHz. Adds 5 channels to existing system. Includes panel, and expansion harness to connect existing panel.				\$11,548.00
DPM	Delete power monitoring, wattmeter panel and remote keying.				(\$358.00)

CERAMIC ENHANCED TRUNKING COMBINERS - 851-869 MHz**19" RACK - 4" CAVITIES**

Requires only 7.5" of rack space for 5 channels. Expandable to 10 channels with TC860-1T/5T expansion kits. Includes TBR72-19B rack, power monitoring, wattmeter panel and remote keying.

MODEL	CH.	DESCRIPTION	FREQ. RANGE	PWR/ CHAN	LIST PRICE
TC860-1TRM	1	Rack Mounted Ceramic Enhanced Combiner	851-869 MHz	80 watts	\$6,136.00
TC860-2TRM	2				\$8,795.00
TC860-3TRM	3				\$11,451.00
TC860-4TRM	4				\$14,110.00
TC860-5TRM	5				\$16,768.00
TC860-6TRM	6				\$19,427.00
TC860-7TRM	7				\$22,084.00
TC860-8TRM	8				\$24,742.00
TC860-9TRM	9				\$27,401.00
TC860-10TRM	10				\$30,058.00
TC860-1T	1 channel expansion kit, 851-869 MHz. Must specify frequency and position.				\$2,824.00
TC860-5T	5 channel expansion kit, 851-869 MHz. Expands 5 channel system to 10 ch.				\$12,522.00
DPM	Delete power monitoring, wattmeter panel and remote keying.				(\$358.00)

SECTION 1**M108-900 / M101-900 SERIES****EXPANDABLE TRUNKING LOW-LOSS COMBINERS - 896-941 MHz****19" RACK - 8" 3/4 WAVE CAVITIES**

8" 3/4 wave cavities for close spacing. Available in 5 or 10 channel racks. Expandable with M101-900-1T/5T expansion kits. Includes TBR72-19B rack, power monitoring, wattmeter panel, and remote keying.

MODEL	CH.	DESCRIPTION	FREQ. RANGE	PWR/ CHAN	LIST PRICE
M108-900-1TRM	1	Rack Mounted Transmitter Combiner	896-941 MHz	150 watts	\$5,123.00
M108-900-2TRM	2				\$7,586.00
M108-900-3TRM	3				\$10,049.00
M108-900-4TRM	4				\$12,511.00
M108-900-5TRM	5				\$14,974.00
M108-900-6TRM	6				\$18,219.00
M108-900-7TRM	7				\$20,682.00
M108-900-8TRM	8				\$23,145.00
M108-900-9TRM	9				\$25,608.00
M108-900-10TRM	10				\$28,071.00
M108-900-1T		1 channel expansion kit, 896-941 MHz. Specify frequency and position. Includes cavity, isolator, power monitor, mounting hardware and cables.			\$2,632.00
M108-900-5T		5 channel expansion kit, 896-941 MHz. Adds 5 channels to existing system. Includes panel, and expansion harness to connect existing panel.			\$11,548.00
DPM		Delete power monitoring, wattmeter panel and remote keying.			(\$358.00)

EXPANDABLE TRUNKING HYBRID COMBINERS - 896-941 MHz**19" RACK - HYBRID TRAYS**

Includes TBR72-19B rack, power monitoring, wattmeter panel and remote keying.

MODEL	CH.	DESCRIPTION	FREQ. RANGE	PWR/ CHAN	LIST PRICE
M101-900-2TRMH	2	Rack Mounted Hybrid Transmitter Combiner	896-941 MHz	150 watts	\$5,737.00
M101-900-4TRMH	4				\$11,036.00
M101-900-10TRMH	10				\$26,701.00
M101-900-2TH		2 channel expansion kit, 896-941 MHz. For 2 channel or 4 channel combiner. Includes hybrid coupler, cables, and all mounting hardware.			\$4,841.00
M101-900-4TH		4 channel expansion kit, 896-941 MHz. For 2 channel or 4 channel combiner. Includes hybrid coupler, cables, and all mounting hardware.			\$10,142.00
DPM		Delete power monitoring, wattmeter panel and remote keying.			(\$358.00)

SECTION 1

HYBRID SERIES

HYBRID TRANSMITTER COMBINERS AND COUPLERS - 118-960 MHz

Combiners and Couplers can be mounted on standard EIA 19" panel, and include isolators and loads.

TW-860 compact combiners require only 3.5" of rack space for two **or** four channels at 125 watts.

Standard two channel models are 5.25" high. Four channel models are 10.5" high. 400 watt models available.

MODEL	CH.	DESCRIPTION	FREQ. RANGE	ISOL.	PWR/ CH.	LIST PRICE
TW150-2HRA1	2	Hybrid Transmitter Combiner	118-174 MHz	70 dB	150 W	\$3,225.00
TW150-2HRB1				100 dB		\$4,541.00
TW150-4HRA1	4			70 dB		\$7,360.00
TW150-4HRB1				100 dB		\$9,986.00
TW150-2HRA2	2	High Power Hybrid Combiner	148-174 MHz	70 dB	300 W	\$6,908.00
TW150-2HRB2				100 dB		\$9,034.00
TW150-4HRA2	4			70 dB		\$11,344.00
TW150-4HRB2				100 dB		\$13,950.00
TW220-2HRA1	2	Hybrid Transmitter Combiner	216-250 MHz	70 dB	150 W	\$3,225.00
TW220-2HRB1				100 dB		\$4,541.00
TW220-4HRA1	4			70 dB		\$7,360.00
TW220-4HRB1				100 dB		\$9,986.00
TW450-2HRA1	2	Hybrid Transmitter Combiner	406-512 MHz	70 dB	150 W	\$3,077.00
TW450-2HRB1				100 dB		\$4,333.00
TW450-4HRA1	4			70 dB		\$7,028.00
TW450-4HRB1				100 dB		\$9,534.00
TW760-2HRA1	2	Hybrid Transmitter Combiner	763-869 MHz	70 dB	150 W	\$3,308.00
TW760-2HRB1				100 dB		\$3,952.00
TW760-4HRA1	4			70 dB		\$6,689.00
TW760-4HRB1				100 dB		\$9,077.00
TW860-2HRB1	2	Compact Hybrid Transmitter Combiner	851-869 MHz	90 dB	100 W	\$2,830.00
TW860-4HRB1	4					\$5,984.00
TW900-2HRA1	2	Hybrid Transmitter Combiner	806-960 MHz	70 dB	150 W	\$3,308.00
TW900-2HRB1				100 dB		\$3,952.00
TW900-4HRA1	4			70 dB		\$6,689.00
TW900-4HRB1				100 dB		\$9,077.00
TW930-2HRA1-SL	2	STL Hybrid Combiner	900-960 MHz	70 dB	25 W	\$2,339.00
TWH-150	Hybrid Coupler		144-174 MHz		400 W	\$572.00
TWH-450			406-512 MHz			\$572.00
TWH-900			806-960 MHz			\$620.00

SECTION 1**PASS-NOTCH SERIES / RACKS, CABINETS****BANDPASS-NOTCH COMBINERS - 66-512 MHz**

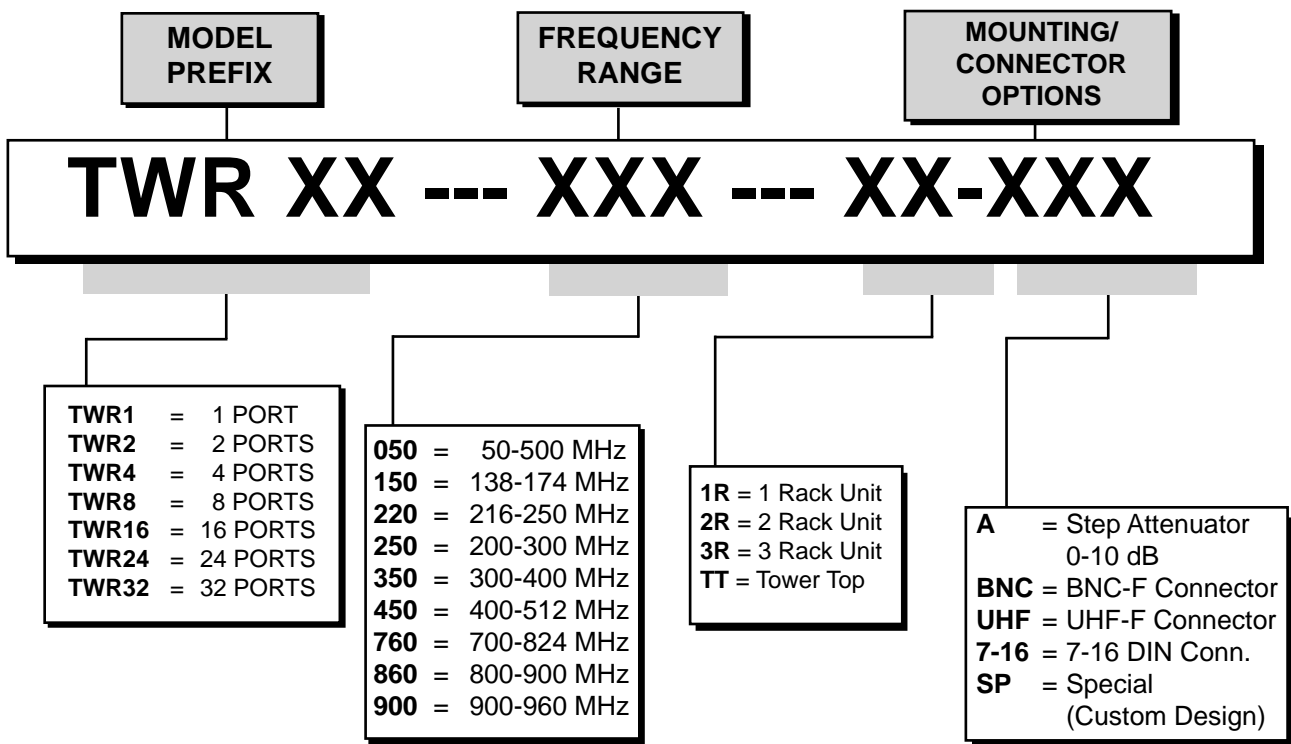
Each combiner is a self-contained unit for one transmitter. Up to 3 pass cavities per channel are available for maximum isolation. Each unit is assembled with 19" rails for rack or wall mounting. Cavity-mount isolators are available as an option.

MODEL	CH.	DESCRIPTION	FREQ. RANGE	PWR/ CHAN	LIST PRICE
M101-70-1T-1PN	1	Transmitter Combiner - 1 Pass, 1 Notch	66-88 MHz	150 watts	\$1,432.00
M101-70-1T-2PN		Transmitter Combiner - 2 Pass, 1 Notch			\$1,948.00
M101-70-1T-3PN		Transmitter Combiner - 3 Pass, 1 Notch			\$2,430.00
M101-150-1T-1PN	1	Transmitter Combiner - 1 Pass, 1 Notch	136-174 MHz		\$1,118.00
M101-150-1T-2PN		Transmitter Combiner - 2 Pass, 1 Notch			\$1,665.00
M101-150-1T-3PN		Transmitter Combiner - 3 Pass, 1 Notch			\$2,077.00
M101-450-1T-1PN	1	Transmitter Combiner - 1 Pass, 1 Notch	400-512 MHz		\$964.00
M101-450-1T-2PN		Transmitter Combiner - 2 Pass, 1 Notch			\$1,434.00
M101-450-1T-3PN		Transmitter Combiner - 3 Pass, 1 Notch			\$2,039.00

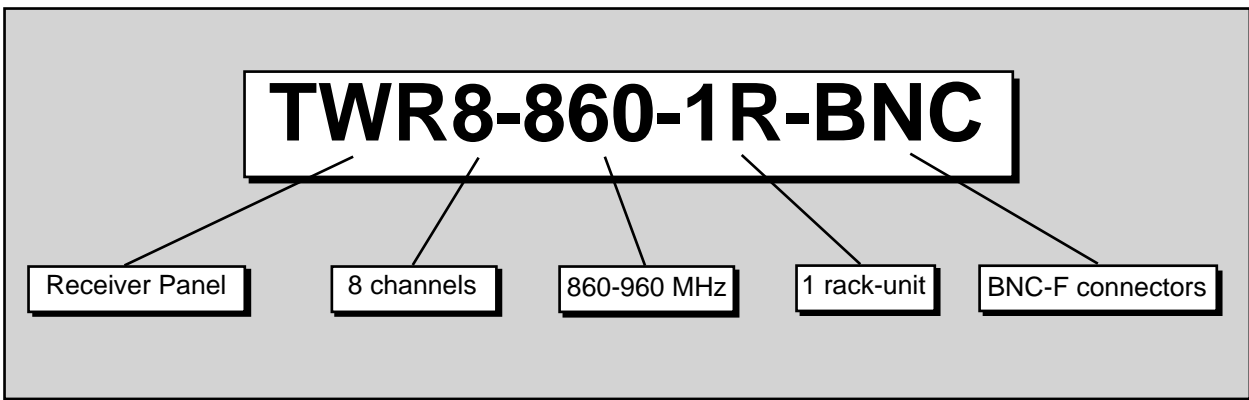
COMBINER RACKS AND CABINETS

MODEL	DESCRIPTION	LIST PRICE
TBR72-19B	Steel Bud Relay Rack with cross-bracing. 72" H x 19" W	\$587.00
TBR84-19B	Steel Bud Relay Rack with cross-bracing. 84" H x 19" W	\$620.00
TBR90-19C	Bolted Chatsworth aluminum relay rack. 90" H x 19" W	\$1,223.00
TBC-40	Upright floor mount indoor cabinet with removable front panel. 40" H x 22" W x 17" D	\$1,129.00
TBC-48	Deluxe 48" upright floor mount indoor cabinet with front and rear locking doors. Standard color black. Call for color and seismic bracing options 48" H x 24" W x 32" D (150 MHz) 48" H x 24" W x 24" D (350/450 MHz)	\$1,242.00
TBC-70	Deluxe 70" upright floor mount indoor cabinet with front and rear locking doors. Standard color black. Call for color and seismic bracing options 70" H x 22" W x 25.5" D	\$2,783.00
TWX-5	Standoff brackets for rack-mounted equipment (2 ea) - 5.25 x 5.25"	\$55.00
TWX-8	Standoff brackets for rack-mounted equipment (2 ea) - 8 x 8"	\$65.00

RECEIVER DISTRIBUTION PANEL MODEL NUMBER NOMENCLATURE



EXAMPLE:



NOTES:

Receiver Distribution Panels Ship Standard With N-Female Connectors

Standard Power Supply Voltages Available:

+12 VDC +15 VDC +24 VDC +48VDC 120 VAC 220 VAC

SECTION 2

RECEIVER DISTRIBUTION PANELS

2 / 4 CHANNEL RECEIVER DISTRIBUTION PANELS

All receiver distribution panels are 19" W x 5.25" H x 4" D, and are normally supplied with N-Female connectors. Includes AC power supply for 100-240 VAC 50/60 Hz. DC power input +12 to +24 VDC. Typical system gain 6 dB.

MODEL	DESCRIPTION	FREQ. RANGE	SYSTEM GAIN*	LIST PRICE
TWR2-150	2 Channel Receiver Distribution Panel	132-174 MHz	0-18 dB	\$1,331.00
TWR2-250		216-250 MHz		\$1,331.00
TWR2-350		300-400 MHz		\$1,331.00
TWR2-450		400-512 MHz		\$1,331.00
TWR2-760		763-824 MHz		\$1,331.00
TWR2-860		806-960 Mhz		\$1,331.00
TWR4-150	4 Channel Receiver Distribution Panel	132-174 MHz		\$1,425.00
TWR4-250		216-250 MHz		\$1,425.00
TWR4-350		300-400 MHz		\$1,425.00
TWR4-450		400-512 MHz		\$1,425.00
TWR4-760		763-824 MHz		\$1,425.00
TWR4-860		806-960 Mhz		\$1,425.00

NOTE: Unused ports must be terminated with 50 ohm load such as TWL-01.

* Factory Adjustable

8 / 16 / 24 CHANNEL RECEIVER DISTRIBUTION PANELS

All receiver distribution panels are 19" W x 7" H x 3" D, and are normally supplied with N-Female connectors, -20 dB test port, and 120 or 220 VAC 60 Hz / + 12 VDC power supply. Typical system gain 6 dB.

MODEL	DESCRIPTION	FREQ. RANGE	SYSTEM GAIN*	LIST PRICE
TWR8-050	8 Channel Receiver Distribution Panel	50-512 MHz	0-18 dB	\$1,934.00
TWR8-150		132-174 MHz		\$1,838.00
TWR8-250		216-250 MHz		\$1,838.00
TWR8-350		300-400 MHz		\$1,838.00
TWR8-450		400-512 MHz		\$1,838.00
TWR8-760		763-824 MHz		\$1,838.00
TWR8-860		806-960 Mhz		\$1,838.00
TWR16-050	16 Channel Receiver Distribution Panel	50-512 MHz	0-15 dB	\$3,136.00
TWR16-150		132-174 MHz		\$2,765.00
TWR16-250		216-250 MHz		\$2,765.00
TWR16-350		300-400 MHz		\$2,765.00
TWR16-450		400-512 MHz		\$2,765.00
TWR16-760		763-824 MHz		\$2,765.00
TWR16-860	806-960 MHz	\$2,765.00		
TWR24-760	24 Channel Receiver Distribution Panel	763-824 MHz	0-12 dB	\$3,276.00
TWR24-860		806-960 MHz		\$3,276.00

NOTE: Unused ports must be terminated with 50 ohm load such as TWL-01.

* Factory Adjustable

SECTION 2**RECEIVER DISTRIBUTION PANELS****COMPACT RECEIVER DISTRIBUTION PANELS 8-16 CHANNELS**

All panels are 1RU (1.75") for 19" rack mount. Typical system gain 6 dB. Standard connectors are N-Female. BNC opt. 0-10 dB step attenuator optional on all panels. 8 ch. panels can be expanded to 16 channels. Includes power supply for 120 or 220 VAC / +11.5 to +15 VDC input.

MODEL	DESCRIPTION	FREQ. RANGE	SYSTEM GAIN*	LIST PRICE
TWR8-050-1R	8 Channel Compact Distribution Panel, 1RU	50-512 MHz	0-18 dB	\$2,715.00
TWR8-050-1RA	TWR8-050-1R with 10dB Step Attenuator			\$3,504.00
TWR8-050-1RTT*	TWR8-050-1R with Tower Top Power			\$3,270.00
TWR8-150-1R	8 Channel Compact Distribution Panel, 1RU	132-174 MHz		\$2,715.00
TWR8-150-1RA	TWR8-150-1R with 10dB Step Attenuator			\$3,504.00
TWR8-150-1RTT*	TWR8-150-1R with Tower Top Power			\$3,270.00
TWR8-450-1R	8 Channel Compact Distribution Panel, 1RU	400-512 MHz		\$2,226.00
TWR8-450-1RA	TWR8-450-1R with 10dB Step Attenuator			\$2,967.00
TWR8-450-1RTT*	TWR8-450-1R with Tower Top Power			\$2,780.00
TWR8-760-1R	8 Channel Compact Distribution Panel, 1RU	763-824 MHz		\$2,226.00
TWR8-760-1RA	TWR8-760-1R with 10dB Step Attenuator			\$2,967.00
TWR8-760-1RTT*	TWR8-760-1R with Tower Top Power			\$2,780.00
TWR8-760-1R-BNC**	TWR8-760-1R with BNC Outputs			\$2,226.00
TWR8-860-1R	8 Channel Compact Distribution Panel, 1RU	806-960 MHz		\$2,226.00
TWR8-860-1RA	TWR8-860-1R with 10dB Step Attenuator			\$2,967.00
TWR8-860-1RTT*	TWR8-860-1R with Tower Top Power			\$2,780.00
TWR8-860-1R-BNC**	TWR8-860-1R with BNC Outputs		\$2,226.00	
TWR16-050-1R	16 Channel Compact Distribution Panel, 1RU	50-512 MHz	0-15 dB	\$4,194.00
TWR16-050-1RTT*	TWR16-050-1R with Tower Top Power			\$4,748.00
TWR16-150-1R	16 Channel Compact Distribution Panel, 1RU	132-174 MHz		\$4,194.00
TWR16-150-1RTT*	TWR16-150-1R with Tower Top Power			\$4,748.00
TWR16-450-1R	16 Channel Compact Distribution Panel, 1RU	400-512 MHz		\$3,211.00
TWR16-450-1RTT*	TWR16-450-1R with Tower Top Power			\$3,766.00
TWR16-760-1R	16 Channel Compact Distribution Panel, 1RU	763-824 MHz		\$3,211.00
TWR16-760-1RTT*	TWR16-760-1R with Tower Top Power			\$3,766.00
TWR16-760-1RBNC**	TWR16-760-1R with BNC Outputs			\$3,211.00
TWR16-860-1R	16 Channel Compact Distribution Panel, 1RU	806-960 MHz		\$3,211.00
TWR16-860-1RTT*	TWR16-860-1R with Tower Top Power			\$3,766.00
TWR16-860-1RBNC**	TWR16-860-1R with BNC Outputs			\$3,211.00

NOTES:

* Factory Adjustable

Unused ports must be terminated with 50 ohm load such as TWL-01.

* Includes 1 Amp meter movement & DC power injector for Tower Top Preamp.

** Output connectors are BNC.

SECTION 2

RECEIVER DISTRIBUTION PANELS

COMPACT RECEIVER PANELS 24-32 CHANNELS

All panels are 2RU (3.5") for 19" rack mount. Typical system gain 6 dB. Standard connectors are N-Female. BNC-F opt. 0-10 dB step attenuator optional on all panels. 24 ch. panels can be expanded to 32 channels. Includes power supply for 120 or 220 VAC / +11.5 to +15 VDC input.

MODEL	DESCRIPTION	FREQ. RANGE	SYSTEM GAIN*	LIST PRICE
TWR24-050-2R	24 Channel Compact Distribution Panel, 2RU	50-512 MHz	0-12 dB	\$4,868.00
TWR24-150-2R		132-174 MHz		\$4,868.00
TWR24-450-2R		400-512 MHz		\$3,885.00
TWR24-760-2R		763-824 MHz		\$3,885.00
TWR24-860-2R		806-960 MHz		\$3,885.00
TWR32-050-2R	32 Channel Compact Distribution Panel, 2RU	50-512 MHz		\$5,319.00
TWR32-150-2R		132-174 MHz		\$5,319.00
TWR32-450-2R		400-512 MHz		\$4,335.00
TWR32-760-2R		763-824 MHz		\$4,335.00
TWR32-860-2R		806-960 MHz		\$4,335.00

NOTE: Unused ports of compact panels must be terminated with 50 ohm load such as TWL-01. * Factory Adjustable

RECEIVER POWER SPLITTERS

Receiver splitters are designed for **receiver** systems only. Splitters are factory tuned for best performance in 148-174, 450-470, 793-824, and 806-824 MHz bands. Please specify center frequency if outside these ranges.

MODEL	DESCRIPTION	FREQ. RANGE	TYP. LOSS	LIST PRICE
PS-302	2-Port Receiver Power Splitter	33-50 MHz	-3.2 dB	\$121.00
PS-702		72-88 MHz		\$121.00
PS-1502	2-Port Receiver Power Splitter	132-174 MHz	-3.2 dB	\$121.00
PS-1504	4-Port Receiver Power Splitter	148-174 MHz	-6.4 dB	\$224.00
PS-3302	2-Port Receiver Power Splitter	320-390 MHz	-3.2 dB	\$121.00
PS-4502	2-Port Receiver Power Splitter	400-512 MHz	-3.2 dB	\$121.00
PS-4504	4-Port Receiver Power Splitter		-6.4 dB	\$224.00
PS-4508-BNC	8-Port Receiver Power Splitter BNC-F		-9.6 dB	\$413.00
PS-4508-N	8-Port Receiver Power Splitter N-F		\$450.00	
PS-7602	2-Port Receiver Power Splitter.	763-824 MHz	-3.2 dB	\$121.00
PS-7604	4-Port Receiver Power Splitter.		-6.4 dB	\$224.00
PS-7608-BNC	8-Port Receiver Power Splitter BNC-F		-9.6 dB	\$413.00
PS-7608-N	8-Port Receiver Power Splitter N-F		\$450.00	
PS-8602	2-Port Receiver Power Splitter	806-960 MHz	-3.2 dB	\$121.00
PS-8604	4-Port Receiver Power Splitter		-6.4 dB	\$224.00
PS-8608-BNC	8-Port Receiver Power Splitter BNC-F		-9.6 dB	\$413.00
PS-8608-N	8-Port Receiver Power Splitter N-F		\$450.00	
PS-5002	Broadband 2-Port Receiver Power Splitter	10-1000 MHz	-3.2 dB	\$268.00
PS-5004	Broadband 4-Port Receiver Power Splitter		-6.4 dB	\$499.00
PS-5008	Broadband 8-Port Receiver Power Splitter	50-512 MHz	-9.6 dB	\$582.00

NOTE: Unused splitter ports must be terminated with 50 ohm load such as TWL-01.

SECTION 2**RECEIVER PREAMPLIFIERS****RACK MOUNT PHEMT PREAMPLIFIERS**

TWR1 preamplifiers are mounted on a 1.75" H x 19" W (1RU) panel, and include a 0-10dB attenuator and 120 or 220 VAC to +11-18 VDC power supply. Bandwidth is approximately 10% of operating frequency for each unit. Specify gain and operating or center frequency with order. N-Female input/output connectors standard.

MODEL	DESCRIPTION	FREQ. RANGE	SYSTEM GAIN*	LIST PRICE
TWR1-150	Rack Mount PHEMT Preamp with 0-10 dB attenuator. Standard gain range 1-11 dB if not specified.	132-174 MHz	1 to 11 dB min 10 to 20 dB max	\$2,094.00
TWR1-220		200-250 MHz	1 to 11 dB min 7 to 17 dB max	\$2,094.00
TWR1-450		400-512 MHz		\$2,094.00
TWR1-760		763-824 MHz	1 to 11 dB min 4 to 14 dB max	\$2,094.00
TWR1-860		800-960 MHz		\$2,094.00

* Gain window is factory adjustable between limits shown.

BIPOLAR PREAMPLIFIERS

Specify gain and operating or center frequency with order. N-Female input/output connectors standard. Standard gain 16 dB if not specified.

MODEL	DESCRIPTION	FREQ. RANGE	GAIN*	LIST PRICE
TLA50-12	Bipolar inline preamplifier, +12 to +24VDC (specify freq.)	30-88 MHz	8-34 dB	\$584.00
TLA150-12		132-174 MHz	6-28 dB	\$584.00
TLA220-12		216-250 MHz		\$584.00
TLA330-12		320-390 MHz	6-30 dB	\$584.00
TLA450-12		400-512 MHz		\$584.00
TLA760-12		763-824 MHz	6-21 dB	\$584.00
TLA860-12		806-960 MHz		\$584.00

* Factory Adjustable

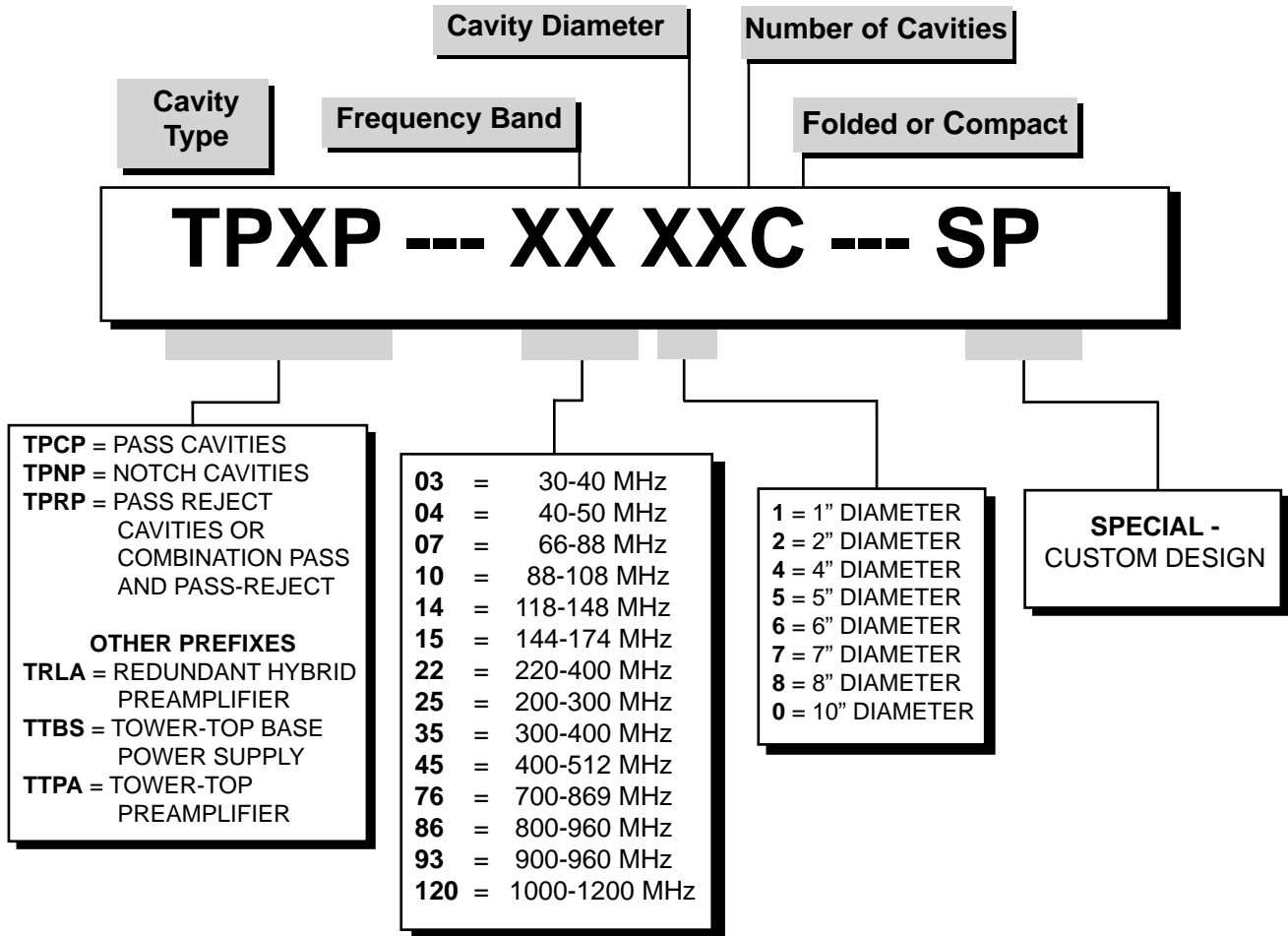
PHEMT PREAMPLIFIERS

Specify operating or center frequency with order. N-Female input/output connectors standard.

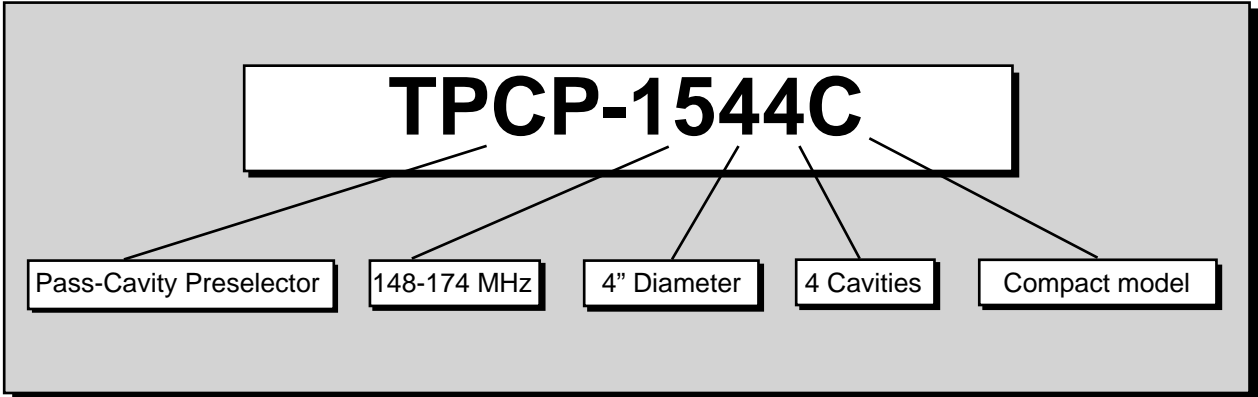
MODEL	DESCRIPTION	FREQ. RANGE	GAIN*	LIST PRICE
TGA150-12	PHEMT inline preamplifier, +9 to +18VDC (specify freq.)	132-174 MHz	20 dB	\$704.00
TGA220-12		200-250 MHz	17 dB	\$704.00
TGA450-12		400-512 MHz		\$704.00
TGA750-12		763-824 MHz	14 dB	\$704.00
TGA860-12		806-960 MHz		\$704.00

* Factory Adjustable

PRESELECTOR MODEL NUMBER NOMENCLATURE



EXAMPLE:



NOTES:

Folded cavities are special coaxial cavities which are about 3/4 as long as a standard 1/4-wave cavity. Folded cavities are required where cavities are mounted on a 19" wide panel. Add 10% to standard pricing for folded cavities. Contact Telewave for special configurations. Mobile preselectors are provided with BNC connectors. Specify Type N if required.

SECTION 2**PRESELECTORS****RECEIVER PRESELECTORS 70-430 MHz**

Cavity Receiver Preselectors below 300 MHz are generally strapped together with 19" mounting rails.

Above 300 MHz, cavities are generally mounted on a 19" panel. All square cavities are panel mounted.

MODEL	DESCRIPTION	FREQ. RANGE	CAVITIES DIA.	NO.	BAND PASS	LIST PRICE
TPCP-0714	Helical Receiver Preselector	70-90 MHz	1"	4	2 MHz	\$448.00
TPCP-1342C	Pass Cavity Compact Preselector	118-136 MHz	4"	2	700 KHz	\$912.00
TPCP-1343C				3	1.5 MHz	\$1,334.00
TPCP-1344C				4	2 MHz	\$1,720.00
TPCP-1454				Pass Cavity Receiver Preselector	118-148 MHz	5"
TPCP-1456	6	1.3 MHz	\$2,325.00			
TPCP-1442C	Pass Cavity Compact Preselector	135-151 MHz	4"	2	700 KHz	\$873.00
TPCP-1443C				3	1.5 MHz	\$1,277.00
TPCP-1444C				4	2 MHz	\$1,646.00
TPCP-1444CM				4	2 MHz	\$1,800.00
TPCP-1446C				6	2.5 MHz	\$2,560.00
TPCP-1414	Helical Receiver Preselector	140-150 MHz	1"	4	2 MHz	\$409.00
TPCP-1514		148-174 MHz				\$409.00
TPCP-1542C	Pass Cavity Compact Preselector	148-174 MHz	4"	2	700 KHz	\$873.00
TPCP-1543C				3	1.5 MHz	\$1,277.00
TPCP-1544C				4	2 MHz	\$1,646.00
TPCP-1544CM				4	2 MHz	\$1,800.00
TPCP-1544F				4	800 KHz	\$1,588.00
TPCP-1546C				6	2.5 MHz	\$2,560.00
TPCP-1552			5"	2	250 KHz	\$746.00
TPCP-1554				4	700 KHz	\$1,485.00
TPCP-1556				6	1.3 MHz	\$2,325.00
TPCP-2244				Pass Cavity Receiver Preselector	200-300 MHz	4"
TPCP-2246	6	4 MHz	\$2,024.00			
TPCP-3544	Pass Cavity Receiver Preselector	300-400 MHz	4"	4	2 MHz	\$1,654.00
TPCP-3546				6	4 MHz	\$2,140.00
TPCP-3548				8	4 MHz	\$3,300.00
TPCP-3844	Pass Cavity Receiver Preselector	370-430 MHz	4"	4	2 MHz	\$1,654.00
TPCP-3846				6	4 MHz	\$2,140.00

SECTION 2**PRESELECTORS****RECEIVER PRESELECTORS 400-960 MHz**

MODEL	DESCRIPTION	FREQ. RANGE	CAVITIES DIA.	NO.	BAND PASS	LIST PRICE
TPCP-4542	Pass Cavity Receiver Preselector	400-512 MHz	4"	2	1 MHz	\$968.00
TPCP-4544				4	2 MHz	\$1,654.00
TPCP-4546				6	4 MHz	\$2,140.00
TPCP-4548				8	4 MHz	\$3,300.00
TPCP-4514	Helical Receiver Preselector	450-470 MHz	1"	4	4 MHz	\$391.00
TPCP-45215	15 Pole Comblne Preselector Mounted on 5.25" x 19" panel	455-460 MHz	2"	15	4 MHz	\$1,636.00
TPCP-46215		465-470 MHz	2"	15	4 MHz	\$1,636.00
TPCP-45215-2	Dual Window Comblne Preselector Includes TPCP-45215 and TPCP-46215 Mounted on 10.5" x 19" panel	455-460 MHz 465-470 MHz	2"	15 15	4 MHz 4 MHz	\$3,474.00
TPCP-7642	Pass Cavity Receiver Preselector	763-824 MHz	4"	2	2 MHz	\$968.00
TTPP-7642	Bandpass-Bandreject Receiver Preselector			2	5 MHz	\$1,065.00
TPCP-7644	Pass Cavity Receiver Preselector			4	5 MHz	\$1,654.00
TPCP-8642	Pass Cavity Receiver Preselector	806-960 MHz	4"	2	2 MHz	\$968.00
TTPP-8642	Bandpass-Bandreject Receiver Preselector			2	5 MHz	\$1,065.00
TPCP-8644	Pass Cavity Receiver Preselector			4	5 MHz	\$1,654.00
TPCP-8626	Comblne Receiver Preselector		2"	6	15 MHz	\$1,065.00
TPCP-8626B	Comblne Receiver Preselector	806-821 MHz	2"	6	10 MHz	\$1,065.00
TPCP-8926B	Comblne Receiver Preselector	824-849 MHz	2"	6	10 MHz	\$1,065.00
TPCP-9063	Pass Cavity Receiver Preselector	806-960 MHz	6"	3	500 KHz	\$1,438.00

SECTION 2

TOWER TOP SERIES

TOWER TOP PREAMPLIFIERS AND PRESELECTORS

Tower Top Preamplifiers and Preselectors are housed in a NEMA 4 standard weather-proof housing. Dimensions are 20" H x 16" W x 10" D unless noted. Pricing may vary depending on filtering requirements. Custom filters such as additional notch bands are available on request.

MODEL	DESCRIPTION	FREQ. RANGE	LIST PRICE
TTPA-3544	Tower Top Preamplifier. 2 MHz BW Preselector with four 4" High-Q cavities. >35dB attenuation at +/-10 MHz F _o . NEMA 4 std. enclosure.	300-400 MHz	\$6,635.00
TTPA-3548	Tower Top Preamplifier. 4 MHz BW Preselector with eight 4" High-Q cavities. >80dB attenuation at +/-10 MHz F _o . NEMA 4 std. enclosure.		\$8,140.00
TTPA-4544	Tower Top Preamplifier. 2 MHz BW Preselector with four 4" High-Q cavities. >35dB attenuation at +/-10 MHz F _o . NEMA 4 std. enclosure.	400-512 MHz	\$6,686.00
TTPA-4548	Tower Top Preamplifier. 4 MHz BW Preselector with eight 4" High-Q cavities. >80dB attenuation at +/-10 MHz F _o . NEMA 4 std. enclosure.		\$8,223.00
TTPA-4576* TTPA-4586*	Tower Top Preamplifier. Dual Window Preselector with 2 UHF Comblines filters crossband-coupled to a 15 MHz Comblines filter in the 700 or 800 MHz trunking bands. NEMA 4 enclosure.	400-512 MHz 763-824 MHz 806-869 MHz	Contact Telewave
TTPA-45215-2	Tower Top Preamplifier. 4 MHz BW. 2 UHF Comblines Preselectors in multi-window configuration. NEMA 4 enclosure.	400-512 MHz	Contact Telewave
TTPA-7644	Tower Top Preamplifier. 5 MHz BW Preselector with four 4" High-Q cavities. >35dB attenuation at +/-10 MHz F _o . NEMA 4 std. enclosure.	763-824 MHz	\$6,635.00
TTPA-7648	Tower Top Preamplifier. 5 MHz BW Preselector with eight 4" High-Q cavities. >80dB attenuation at +/- 10 MHz F _o . NEMA 4 std. enclosure.		\$8,140.00
TTPA-8626	Tower Top Preamplifier. Includes Comblines Preselector with 10, 15, or 20 MHz bandwidth. NEMA 4 enclosure.	806-960 MHz	\$6,098.00
TTPA-8644	Tower Top Preamplifier. 5 MHz BW Preselector with four 4" High-Q cavities. >35dB attenuation at +/- 10 MHz F _o . NEMA 4 std. enclosure.		\$6,635.00
TTPA-8648	Tower Top Preamplifier. 5 MHz BW Preselector with eight 4" High-Q cavities. >80dB attenuation at +/- 10 MHz F _o . NEMA 4 std. enclosure.		\$8,140.00
TTPA-8690	Tower Top Preamplifier with dual window Preselector for 800/900 MHz trunking bands. NEMA 4 std. enclosure.	806-821 MHz 896-902 MHz	\$7,601.00
TTBS-4586	Tower Top Base Power Supply (Required for Tower Top Amps)		\$1,249.00
TTBS-4586A	Tower Top Base Power Supply with Current Alarm Circuit		\$1,752.00
TTBS-4586AB	Tower Top Base Power Supply with Current Alarm Circuit and Step Attenuator		\$2,484.00

* Typical configuration. Other filtering options available depending on requirements.

SECTION 3

POWER MONITORING

POWER MONITORS AND PANELS

Standard connectors: RF In / Out - N-Female (Specify any combination of N or UHF, male or female).

Sampling ports - RCA-Female (BNC optional - additional cost).

MODEL	DESCRIPTION	FREQ. RANGE	LIST PRICE
PM-1A-50	Power Monitor, Single direction (50 MHz BW) 5-1000 Watts	30-88 MHz	\$143.00
PM-1A-150		118-230 MHz	\$143.00
PM-1A-300		200-400 MHz	\$143.00
PM-1A-450		380-512 MHz	\$143.00
PM-1A-760		700-869 MHz	\$173.00
PM-1A-900		806-960 MHz	\$173.00
PM-2A-50	Power Monitor, Dual direction (50 MHz BW) 5-1000 Watts	30-88 MHz	\$157.00
PM-2A-150		118-230 MHz	\$157.00
PM-2A-300		200-400 MHz	\$157.00
PM-2A-450		380-512 MHz	\$157.00
PM-2A-760		700-869 MHz	\$190.00
PM-2A-900		806-960 MHz	\$190.00
TWSC-8940	Single directional coupler. 10% BW. -40dB coupling, 0.1 dB IL., 500 watts, +/-0.2dB flatness. Calibrated to center of required frequency band. N-F connector input and output.	250-960 MHz	\$305.00
TWDC-8940	Dual directional coupler. 10% BW. -40dB coupling, 0.1 dB IL., 500 watts, +/-0.2dB flatness. Calibrated to center of required frequency band. N-F connector in/out, BNC coupler connectors.		\$411.00
PMC-250	50 uA unmounted panel meter. Reads 0-250 watts. For use with PM-1A or PM-2A.		\$189.00
PMC-400	50 uA unmounted panel meter. Reads 0-400 watts. For use with PM-1A or PM-2A.		\$189.00
PM10C2S1C*	Compact Power Monitor Panel for 19" Rack Mounting. Fits in 1.75" rack space. Monitors 10 TX and 2 antennas. 10 remote keying switches. Specify meter scale.		\$1,013.00
PM10C5S*	Power Monitor Panel for 19" Rack Mounting. Monitors 10 transmitters or 5 antennas. 10 transmitter remote keying switches. Specify meter scale.		\$1,013.00
PM1C1S*	Remote RF Power Monitoring VSWR Alarm Panel for 19" Rack Mounting. Monitors one transmitter and one antenna. Includes one Power Monitor. Specify meter scale.		\$1,410.00
PM5C1S*	Remote RF Power Monitoring VSWR Alarm Panel for 19" Rack Mounting. Monitors five transmitters and one antenna. (Power monitors not included). Specify meter.		\$2,663.00
CBL-01	3 ft., 2 conductor cable, RCA Male. Connects power monitor to wattmeter panel.		\$13.00
CBL-02	6 ft., 2 conductor cable, RCA Male. Connects power monitor to wattmeter panel.		\$13.00
CBL-03	12 ft., 2 conductor cable, RCA Male. Connects power monitor to wattmeter panel.		\$13.00

* Specify meter scale 0-250 or 0-400 watts.

SECTION 3**WATTMETERS AND LOADS****BROADBAND WATTMETERS**

Wattmeters are supplied standard with Quick Change N-Female connectors, which are recommended above 500 MHz. Please specify UHF, BNC, or TNC if required. DIN-F optional (additional cost).

MODEL	DESCRIPTION	LIST PRICE
Model 44A	Broadband Wattmeter, 20 MHz to 1000 MHz	\$866.00
Model 44AP	Broadband Wattmeter, 20 MHz to 1000 MHz, -40 dBc sampling port	\$941.00
Model 44L1	Low Frequency Broadband Wattmeter, 2 MHz to 200 MHz	\$866.00
Model 44L1P	Low Frequency Broadband Wattmeter, 2 MHz to 200 MHz, -40 dBc sampling port	\$941.00
TC44	Custom carrying case for all Telewave Wattmeters	\$124.00
QC44B	Quick Change BNC-Female connector with 1" flange	\$23.00
QC44D	Quick Change DIN-Female connector with 1" flange	\$98.00
QC44N	Quick Change N-Female connector with 1" flange	\$23.00
QC44S	Quick Change UHF-Female connector with 1" flange	\$23.00
QC44T	Quick Change TNC-Female connector with 1" flange	\$24.00
CO2000	Tele-Dapt 2000 RF Adapter Kit with Carry Case	\$182.00

50 OHM COAXIAL LOADS

Loads are supplied standard with N connectors, which are recommended above 500 MHz. Please specify UHF if required. DIN-F optional (additional cost).

MODEL	DESCRIPTION	FREQ. RANGE	CONNECTORS AVAILABLE	POWER (WATTS)	LIST PRICE
TWL-01	Port Termination	0-2500 MHz	N-M, BNC-M	0.1	\$24.00
TWL-35	Coaxial Dry Load	0-1000 MHz	N-M, UHF-M	35	\$117.00
TWL-50	Coaxial Dry Load	0-2500 MHz	N-M/F, UHF-M/F (QC)	50	\$221.00
TWL-60	Coaxial Dry Load	0-1000 MHz	N-M, UHF-M	60	\$134.00
TWL-75	Coaxial Dry Load	0-2500 MHz	N, UHF M/F, DIN-F (QC)	75	\$290.00
TWL-100	Coaxial Dry Load	0-2500 MHz	N-M/F, UHF-M/F (QC)	100	\$362.00
TWL-100HS	High Standard Termination			100	\$439.00
TWL-100P	Panel Mount Coaxial Load			100	\$493.00
TWL-150	Coaxial Dry Bench Load			150	\$448.00
TWL-300	Coaxial Dry Bench Load	0-1000 MHz	N-F	300	\$829.00
QCLDF	Quick Change Connector for Loads		DIN Female 1-1/4" flange		\$62.00
QCLNM			N Male 1-1/4" flange		\$37.00
QCLNF			N Female 1-1/4" flange		\$14.00
QCLSM			UHF Male 1-1/4" flange		\$26.00
QCLSF			UHF Female 1-1/4" flange		\$17.00

SECTION 4**ISOLATORS****ISOLATORS**

150 watt Isolators include 35 watt removable loads, and can mount on 19" x 5.25" panels.

200-400 watt Isolators include 60 watt removable loads, and can mount on 19" x 8.75" panels.

MODEL	DESCRIPTION	FREQ. RANGE	ISOLATION	TX POWER	LIST PRICE
T-1030	Single Isolator	66-108 MHz	35 dB	50 W	\$614.00
T-1060	Dual Isolator		70 dB		\$1,202.00
T-1530	Single Isolator	118-174 MHz	35 dB	100 W	\$614.00
T-1560	Dual Isolator		70 dB		\$1,202.00
T-1530H	Single High Power Isolator	148-174 MHz	35 dB	300 W	\$1,641.00
T-1560H	Dual High Power Isolator		70 dB		\$3,568.00
T-2230	Single Isolator	216-250 MHz	35 dB	100 W	\$614.00
T-2260	Dual Isolator		70 dB		\$1,202.00
T-3530	Single Isolator	300-400 MHz	35 dB	150 W	\$614.00
T-3560	Dual Isolator		70 dB		\$1,202.00
T-4530	Single Isolator	400-512 MHz	35 dB	150 W	\$614.00
T-4560	Dual Isolator		70 dB		\$1,202.00
T-4530H	Single High Power Isolator	440-475 MHz	35 dB	400 W	\$956.00
T-4560H	Dual High Power Isolator		70 dB		\$1,538.00
T-7530	Single Isolator	700-806 MHz	35 dB	150 W	\$614.00
T-7560	Dual Isolator		70 dB		\$1,202.00
T-8630	Single Isolator	806-960 MHz	35 dB	150 W	\$614.00
T-8660	Dual Isolator		70 dB		\$1,202.00
T-8660H	Dual High Power Isolator				300 W
T-1030CM	Single isolator - cavity mount. With 35 watt removable load.	66-108 MHz	35 dB	50 W	\$736.00
T-1060CM	Dual isolator - cavity mount. Two 35 watt removable loads.		70 dB		\$1,329.00
T-1530CM	Single isolator - cavity mount. With 35 watt removable load.	118-174 MHz	35 dB	100 W	\$736.00
T-1560CM	Dual isolator - cavity mount. Two 35 watt removable loads.		70 dB		\$1,329.00
T-4530CM	Single isolator - cavity mount. With 35 watt removable load.	400-512 MHz	35 dB	150 W	\$736.00
T-4560CM	Dual isolator - cavity mount. Two 35 watt removable loads.		70 dB		\$1,329.00

NOTES:

- 1) Please specify exact operating frequency and connector type with order.
- 2) Higher power handling available. Contact Telewave with requirements.

SECTION 4**I.M. SUPPRESSION PANELS****INTERMODULATION SUPPRESSION PANELS**

Intermod panels mount on 19" rack. 150 watt models are 5.25" high, 300-400 watt models are 8.75" high. Power handling: 50 or 100 watts reflected, 150-400 watts forward. 150 and 300 watt output loads available. Contact Telewave for pricing.

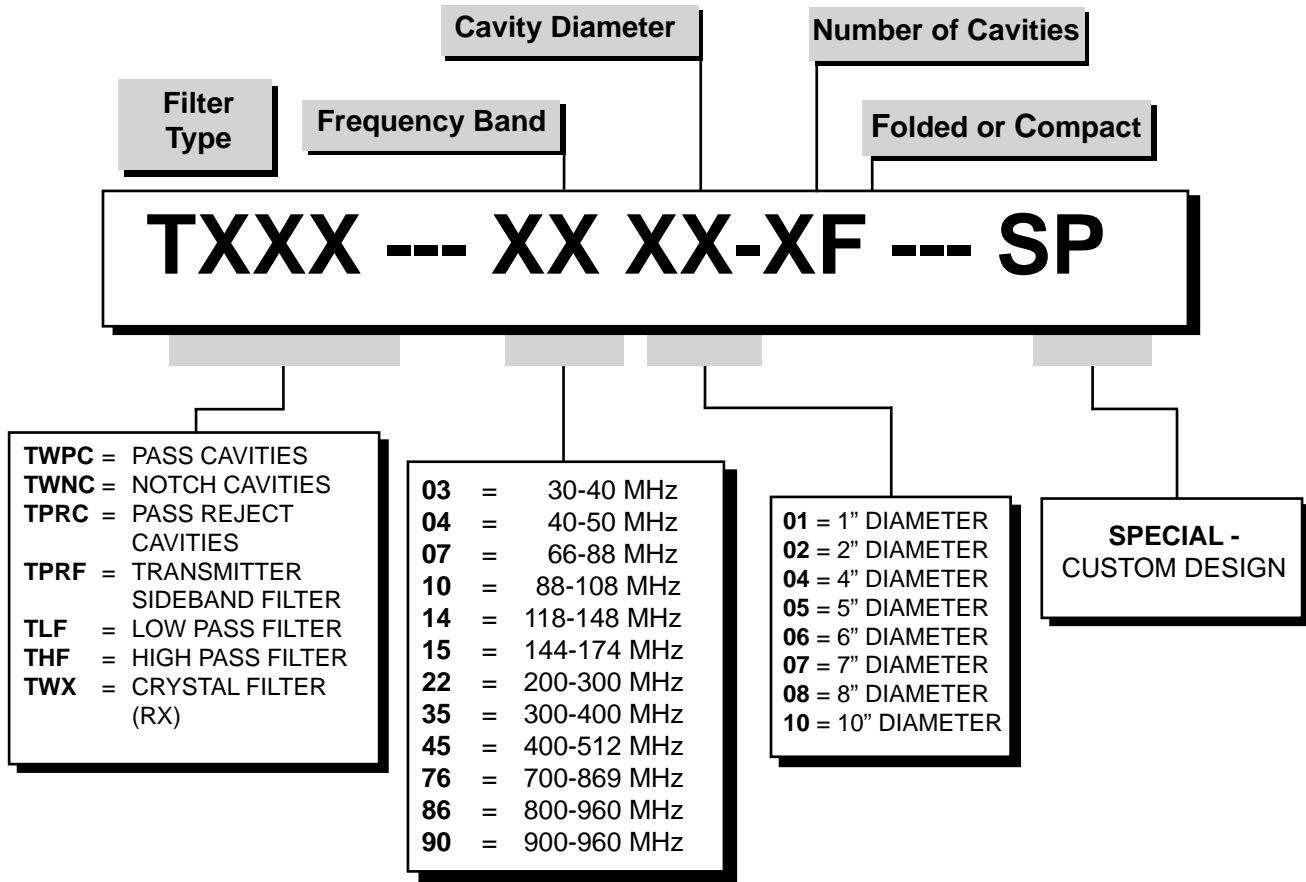
MODEL	DESCRIPTION	FREQ. RANGE	ISOLATION	TX POWER	LIST PRICE
TS150PA1	Single Isolator with Filter - 50 W Load	118-174 MHz	35 dB	100 W	\$969.00
TS150PB1	Dual Isolator with Filter - 50 W Load		70 dB		\$1,538.00
TS150PA2	Single HP Isolator with Filter - 100 W Load	148-174 MHz	35 dB	300 W	\$2,022.00
TS150PB2	Dual HP Isolator with Filter - 100 W Load		70 dB		\$3,881.00
TS220PA1	Single Isolator with Filter - 50 W Load	216-250 MHz	35 dB	100 W	\$969.00
TS220PB1	Dual Isolator with Filter - 50 W Load		70 dB		\$1,538.00
TS350PA1	Single Isolator with Filter - 50 W Load	300-400 MHz	35 dB	150 W	\$969.00
TS350PB1	Dual Isolator with Filter - 50 W Load		70 dB		\$1,538.00
TS450PA1	Single Isolator with Filter - 50 W Load	400-512 MHz	35 dB		\$969.00
TS450PB1	Dual Isolator with Filter - 50 W Load		70 dB		\$1,538.00
TS450PA2	Single HP Isolator with Filter - 100 W Load	440-475 MHz	35 dB	400 W	\$1,235.00
TS450PB2	Dual HP Isolator with Filter - 100 W Load		70 dB		\$1,932.00
TS760PA1	Single Isolator with Filter - 50 W Load	763-869 MHz	35 dB	150 W	\$1,037.00
TS760PB1	Dual Isolator with Filter - 50 W Load		70 dB	150 W	\$1,679.00
TS760PB2	Dual HP Isolator with Filter - 100 W Load			300 W	\$1,993.00
TS900PA1	Single Isolator with Filter - 50 W Load	806-960 MHz	35 dB	150 W	\$1,037.00
TS900PB1	Dual Isolator with Filter - 50 W Load		70 dB	150 W	\$1,679.00
TS900PB2	Dual HP Isolator with Filter - 100 W Load			300 W	\$1,993.00

HIGH PERFORMANCE REPEATER PANELS

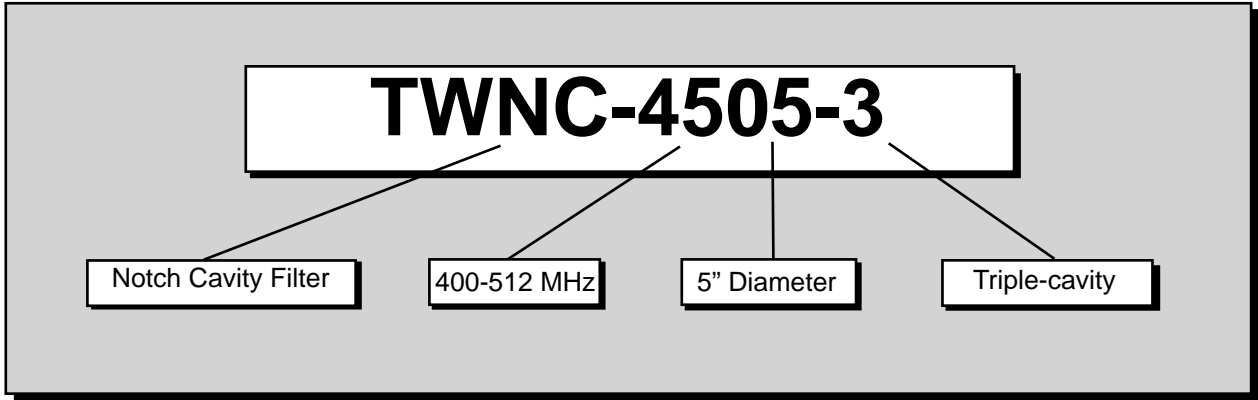
Each panel includes integrated duplexer, receiver preamplifier, preselector, low pass filter and dual isolator.

MODEL	DESCRIPTION	FREQ. RANGE	ISOLATION	TX POWER	LIST PRICE
THRP-1548	High Performance Repeater Panel	138-174 MHz	60 dB	125 W	\$4,928.00
THRP-4548		400-512 MHz			\$4,667.00
THRP-7648		763-869 MHz			\$4,667.00
THRP-8648		806-960 MHz			\$4,667.00

CAVITIES AND FILTERS MODEL NUMBER NOMENCLATURE



EXAMPLE:



NOTES:
 Folded cavities are special coaxial cavities which are about 3/4 as long as a standard 1/4-wave cavity. Folded cavities are required where cavities are mounted on a 19" wide panel. Add 10% to standard pricing for folded cavities. Contact Telewave for special configurations.

SECTION 5**CAVITIES****BANDPASS/REJECT CAVITIES WITH ADJUSTABLE COUPLING - 30-960 MHz**

Prices include interconnect cables and mounting rails or panels for multiple cavities.

N connectors standard. Specify UHF if required. 7-16 DIN available at extra cost.

All cavities are factory tuned to customer-specified frequencies. 75 ohm cavities available on request.

MODEL	FREQ.	DIA.	TYPE	L. PRICE	MODEL	FREQ.	DIA.	TYPE	L. PRICE	
TPRC-0305-1	30-40	5"	Single	\$960.00	TPRC-2204-1	200-300	4"	Single	\$415.00	
TPRC-0305-2			Dual	\$1,975.00	TPRC-2204-2			Dual	\$888.00	
TPRC-0308-1		8"	Single	\$1,170.00	TPRC-2205-1		5"	Single	\$354.00	
TPRC-0308-2			Dual	\$2,393.00	TPRC-2205-2			Dual	\$758.00	
TPRC-0310-1		10"	Single	\$1,366.00	TPRC-2208-1		8"	Single	\$495.00	
TPRC-0310-2			Dual	\$2,783.00	TPRC-2208-2			Dual	\$1,042.00	
TPRC-0405-1	40-50	5"	Single	\$771.00	TPRC-2210-1		10"	Single	\$560.00	
TPRC-0405-2			Dual	\$1,557.00	TPRC-2210-2			Dual	\$1,174.00	
TPRC-0408-1		8"	Single	\$975.00	TPRC-3504-1		300-400	4"	Single	\$404.00
TPRC-0408-2			Dual	\$2,001.00	TPRC-3504-2				Dual	\$845.00
TPRC-0410-1		10"	Single	\$1,170.00	TPRC-3504-3	Triple		\$1,262.00		
TPRC-0410-2			Dual	\$2,393.00	TPRC-3507-1	7"		Single	\$439.00	
TPRC-0705-1	66-88	5"	Single	\$481.00	TPRC-3507-2			Dual	\$917.00	
TPRC-0705-2			Dual	\$1,014.00	TPRC-3507-3	Triple		\$1,383.00		
TPRC-0708-1		8"	Single	\$650.00	TPRC-3508-1	8"	Single	\$466.00		
TPRC-0708-2			Dual	\$1,355.00	TPRC-3508-2		Dual	\$955.00		
TPRC-0710-1		10"	Single	\$755.00	TPRC-3508-3		Triple	\$1,456.00		
TPRC-0710-2			Dual	\$1,561.00	TPRC-4504-1	400-512	4"	Single	\$382.00	
TPRC-1005-1	88-108	5"	Single	\$363.00	TPRC-4504-2			Dual	\$813.00	
TPRC-1005-2			Dual	\$777.00	TPRC-4504-3			Triple	\$1,242.00	
TPRC-1008-1		8"	Single	\$520.00	TPRC-4508-1		8"	Single	\$415.00	
TPRC-1008-2			Dual	\$1,093.00	TPRC-4508-2			Dual	\$888.00	
TPRC-1405-1		118-148	5"	Single	\$363.00			TPRC-4508-3	Triple	\$1,356.00
TPRC-1405-2				Dual	\$777.00	TPRC-4510-1	10"	Single	\$495.00	
TPRC-1408-1	8"		Single	\$520.00	TPRC-4510-2	Dual		\$1,042.00		
TPRC-1408-2			Dual	\$1,093.00	TPRC-4510-3	Triple		\$1,588.00		
TPRC-1410-1	10"		Single	\$587.00	TPRC-7604-1	763-869	4"	Single	\$382.00	
TPRC-1410-2			Dual	\$1,225.00	TPRC-7604-2			Dual	\$813.00	
TPRC-1505-1	148-174	5"	Single	\$354.00	TPRC-7604-3		Triple	\$1,246.00		
TPRC-1505-2			Dual	\$758.00	TPRC-7608-1		8"	Single	\$415.00	
TPRC-1505-3			Triple	\$1,165.00	TPRC-7608-2			Dual	\$888.00	
TPRC-1508-1		8"	Single	\$495.00	TPRC-8604-1		800-960	4"	Single	\$382.00
TPRC-1508-2			Dual	\$1,042.00	TPRC-8604-2	Dual			\$813.00	
TPRC-1508-3			Triple	\$1,585.00	TPRC-8604-3	Triple			\$1,246.00	
TPRC-1510-1	10"	Single	\$624.00	TPRC-8608-1	8"	Single		\$415.00		
TPRC-1510-2		Dual	\$1,299.00	TPRC-8608-2		Dual		\$888.00		
TPRC-1510-3		Triple	\$1,973.00							
TBC-40	Upright Cabinet - Indoor			\$1,129.00						

SECTION 5**CAVITIES****BANDPASS CAVITIES WITH ADJUSTABLE COUPLING - 30-960 MHz**

Prices include interconnect cables and mounting rails or panels for multiple cavities.

N connectors standard. Specify UHF if required. 7-16 DIN available at extra cost.

All cavities are factory tuned to customer-specified frequencies. 75 ohm cavities available on request.

MODEL	FREQ.	DIA.	TYPE	L. PRICE	MODEL	FREQ.	DIA.	TYPE	L. PRICE
TWPC-0305-1	30-40	5"	Single	\$960.00	TWPC-2205-1	200-300	5"	Single	\$354.00
TWPC-0305-2			Dual	\$1,975.00	TWPC-2205-2			Dual	\$758.00
TWPC-0308-1		8"	Single	\$1,170.00	TWPC-2205-3			Triple	\$1,166.00
TWPC-0308-2			Dual	\$2,393.00	TWPC-2208-1		8"	Single	\$495.00
TWPC-0310-1		10"	Single	\$1,366.00	TWPC-2208-2			Dual	\$1,042.00
TWPC-0310-2			Dual	\$2,783.00	TWPC-2210-1		10"	Single	\$560.00
TWPC-0405-1	40-50	5"	Single	\$771.00	TWPC-2210-2	Dual		\$1,174.00	
TWPC-0405-2			Dual	\$1,557.00	TWPC-3504-1	300-400	4"	Single	\$404.00
TWPC-0408-1		8"	Single	\$975.00	TWPC-3504-2			Dual	\$845.00
TWPC-0408-2			Dual	\$2,001.00	TWPC-3504-3			Triple	\$1,262.00
TWPC-0410-1		10"	Single	\$1,170.00	TWPC-3507-1	7"	Single	\$439.00	
TWPC-0410-2			Dual	\$2,393.00	TWPC-3507-2		Dual	\$917.00	
TWPC-0705-1	66-88	5"	Single	\$481.00	TWPC-3507-3		Triple	\$1,383.00	
TWPC-0705-2			Dual	\$1,014.00	TWPC-3508-1	8"	Single	\$466.00	
TWPC-0708-1		8"	Single	\$650.00	TWPC-3508-2		Dual	\$955.00	
TWPC-0708-2			Dual	\$1,355.00	TWPC-3508-3		Triple	\$1,456.00	
TWPC-0710-1		10"	Single	\$755.00	TWPC-4504-1	400-512	4"	Single	\$382.00
TWPC-0710-2			Dual	\$1,561.00	TWPC-4504-2			Dual	\$813.00
TWPC-1005-1	88-108	5"	Single	\$363.00	TWPC-4504-3			Triple	\$1,242.00
TWPC-1005-2			Dual	\$777.00	TWPC-4505-1	5"	Single	\$354.00	
TWPC-1005-3			Triple	\$1,197.00	TWPC-4505-2		Dual	\$758.00	
TWPC-1008-1		8"	Single	\$520.00	TWPC-4505-3		Triple	\$1,165.00	
TWPC-1008-2			Dual	\$1,093.00	TWPC-4508-1	8"	Single	\$415.00	
TWPC-1405-1		118-148	5"	Single	\$363.00		TWPC-4508-2	Dual	\$888.00
TWPC-1405-2	Dual			\$777.00	TWPC-4508-3		Triple	\$1,356.00	
TWPC-1408-1	8"		Single	\$520.00	TWPC-4510-1	10"	Single	\$495.00	
TWPC-1408-2			Dual	\$1,093.00	TWPC-4510-2		Dual	\$1,042.00	
TWPC-1410-1	10"		Single	\$587.00	TWPC-4510-3		Triple	\$1,588.00	
TWPC-1410-2			Dual	\$1,225.00	TWPC-7604-1	763-869	4"	Single	\$382.00
TWPC-1505-1	148-174	5"	Single	\$354.00	TWPC-7604-2			Dual	\$813.00
TWPC-1505-2			Dual	\$758.00	TWPC-7604-3			Triple	\$1,246.00
TWPC-1505-3			Triple	\$1,165.00	TWPC-7608-1	8"	Single	\$415.00	
TWPC-1508-1		8"	Single	\$495.00	TWPC-7608-2		Dual	\$888.00	
TWPC-1508-2			Dual	\$1,042.00	TWPC-8604-1	800-960	4"	Single	\$382.00
TWPC-1508-3		Triple	\$1,585.00	TWPC-8604-2	Dual			\$813.00	
TWPC-1510-1	10"	Single	\$624.00	TWPC-8604-3	Triple			\$1,246.00	
TWPC-1510-2		Dual	\$1,299.00	TWPC-8608-1	8"	Single	\$415.00		
TWPC-1510-3		Triple	\$1,973.00	TWPC-8608-2		Dual	\$888.00		
TBC-40	Upright Cabinet - Indoor			\$1,129.00					

SECTION 5**CAVITIES****NOTCH CAVITIES WITH ADJUSTABLE COUPLING - 30-960 MHz**

Prices include interconnect cables and mounting rails or panels for multiple cavities.

N connectors standard. Specify UHF if required. 7-16 DIN available at extra cost.

All cavities are factory tuned to customer-specified frequencies. 75 ohm cavities available on request.

MODEL	FREQ.	DIA.	TYPE	L. PRICE	MODEL	FREQ.	DIA.	TYPE	L. PRICE
TWNC-0305-1	30-40	5"	Single	\$960.00	TWNC-2204-1	200-300	4"	Single	\$415.00
TWNC-0305-2			Dual	\$1,975.00	TWNC-2204-2			Dual	\$888.00
TWNC-0308-1		8"	Single	\$1,170.00	TWNC-2205-1		5"	Single	\$354.00
TWNC-0308-2			Dual	\$2,393.00	TWNC-2205-2			Dual	\$758.00
TWNC-0310-1		10"	Single	\$1,366.00	TWNC-2208-1		8"	Single	\$495.00
TWNC-0310-2			Dual	\$2,783.00	TWNC-2208-2			Dual	\$1,042.00
TWNC-0405-1	40-50	5"	Single	\$771.00	TWNC-3504-1	300-400	4"	Single	\$404.00
TWNC-0405-2			Dual	\$1,557.00	TWNC-3504-2			Dual	\$845.00
TWNC-0408-1		8"	Single	\$975.00	TWNC-3504-3		7"	Triple	\$1,262.00
TWNC-0408-2			Dual	\$2,001.00	TWNC-3507-1			Single	\$439.00
TWNC-0410-1		10"	Single	\$1,170.00	TWNC-3507-2		Dual	\$917.00	
TWNC-0410-2			Dual	\$2,393.00	TWNC-3507-3		Triple	\$1,383.00	
TWNC-0705-1	66-88	5"	Single	\$481.00	TWNC-3508-1	8"	Single	\$466.00	
TWNC-0705-2			Dual	\$1,014.00	TWNC-3508-2		Dual	\$955.00	
TWNC-0708-1		8"	Single	\$650.00	TWNC-3508-3		Triple	\$1,456.00	
TWNC-0708-2			Dual	\$1,355.00	TWNC-4504-1		400-512	4"	Single
TWNC-0710-1		10"	Single	\$755.00	TWNC-4504-2				Dual
TWNC-0710-2			Dual	\$1,561.00	TWNC-4504-3			Triple	\$1,242.00
TWNC-1005-1	88-108	5"	Single	\$363.00	TWNC-4505-1	5"		Single	\$354.00
TWNC-1005-2			Dual	\$777.00	TWNC-4505-2			Dual	\$758.00
TWNC-1008-1		8"	Single	\$520.00	TWNC-4505-3			Triple	\$1,165.00
TWNC-1008-2			Dual	\$1,093.00	TWNC-4508-1		8"	Single	\$415.00
TWNC-1405-1		118-148	5"	Single	\$363.00			TWNC-4508-2	Dual
TWNC-1405-2				Dual	\$777.00		TWNC-4510-1	10"	Single
TWNC-1408-1	8"		Single	\$520.00	TWNC-4510-2	Dual	\$1,042.00		
TWNC-1408-2			Dual	\$1,093.00	TWNC-7604-1	763-869	4"	Single	\$382.00
TWNC-1410-1	10"		Single	\$587.00	TWNC-7604-2			Dual	\$813.00
TWNC-1410-2			Dual	\$1,225.00	TWNC-7604-3		Triple	\$1,246.00	
TWNC-1505-1	148-174	5"	Single	\$354.00	TWNC-7608-1		8"	Single	\$415.00
TWNC-1505-2			Dual	\$758.00	TWNC-7608-2			Dual	\$888.00
TWNC-1505-3			Triple	\$1,165.00	TWNC-8604-1			800-960	4"
TWNC-1508-1		8"	Single	\$495.00	TWNC-8604-2	Dual	\$813.00		
TWNC-1508-2			Dual	\$1,042.00	TWNC-8604-3	Triple	\$1,246.00		
TWNC-1508-3			Triple	\$1,585.00	TWNC-8608-1	8"	Single		\$415.00
TWNC-1510-1	10"	Single	\$624.00	TWNC-8608-2	Dual		\$888.00		
TWNC-1510-2		Dual	\$1,299.00						
TWNC-1510-3		Triple	\$1,973.00						
TBC-40	Upright Cabinet - Indoor			\$1,129.00					

SECTION 5

FILTERS

TRANSMITTER AND RECEIVER FILTERS

Specify N, UHF, or BNC connectors. Contact Telewave for quotation on filters outside listed frequency ranges.

LOW PASS

MODEL	DESCRIPTION	FREQ. RANGE	POWER WATTS	LIST PRICE
TLF-50	Low Pass Transmitter Filter	40-54 MHz	200	\$233.00
TLF-90		88-108 MHz	200	\$233.00
TLF-90H			1000	\$385.00
TLF-150		144-174 MHz	400	\$233.00
TLF-450		406-512 MHz	200	\$233.00
TLF-760		763-824 MHz		\$233.00
TLF-860		806-960 MHz		\$233.00

HIGH PASS

MODEL	DESCRIPTION	FREQ. RANGE	POWER WATTS	LIST PRICE
THF-150	High Pass Transmitter Filter	144-174 MHz	25	\$233.00
THF-450		406-512 MHz		\$233.00
THF-760		763-869 MHz		\$233.00
THF-860		806-960 MHz		\$233.00

RECEIVER CRYSTAL FILTERS

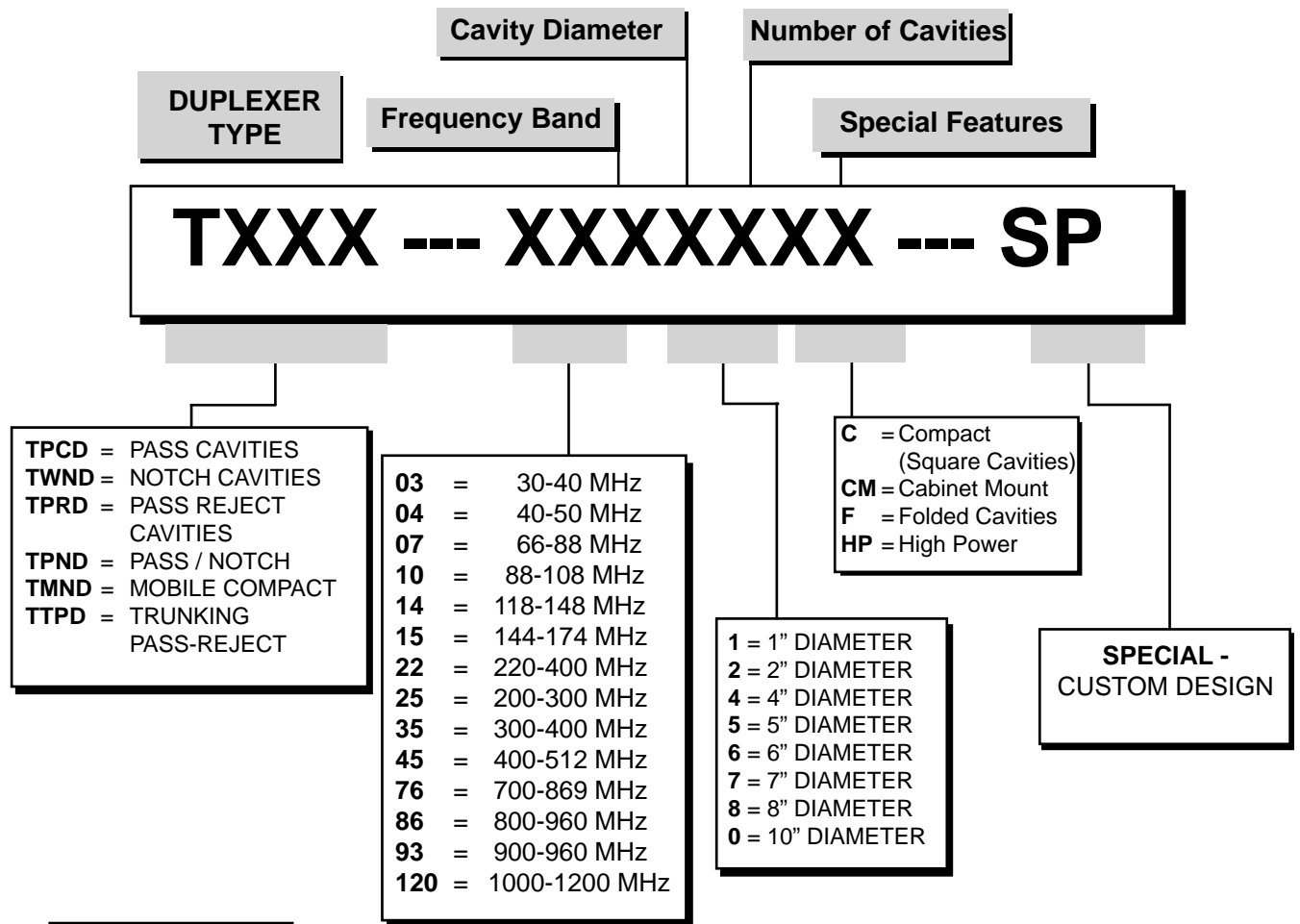
Crystal filters normally require more time to manufacture than other system components.

System delivery time may be extended if crystal filters are ordered as part of a system.

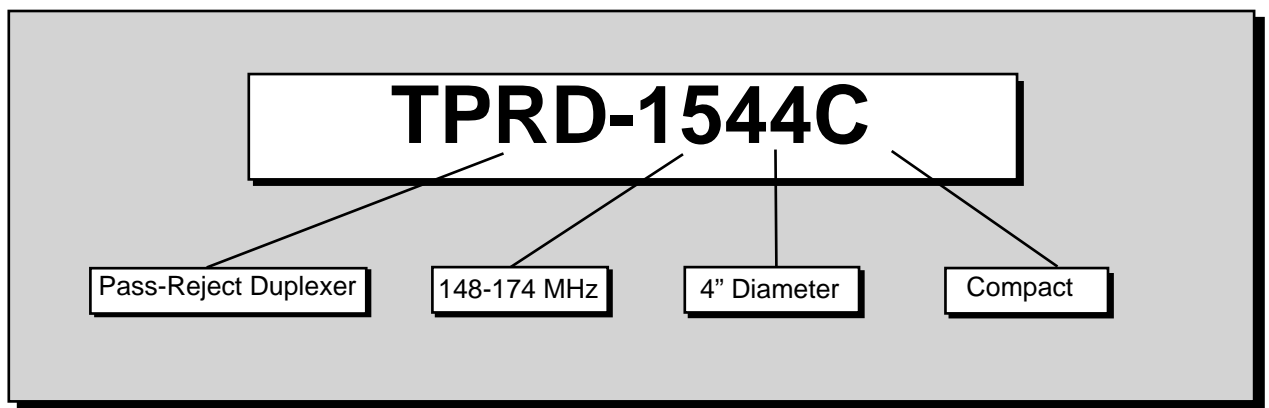
Please contact Telewave for assistance with delivery schedules.

MODEL	DESCRIPTION	FREQUENCY	POWER WATTS	LIST PRICE
TWX50*	Receiver Crystal Filter, 50 MHz Band	Specify exact frequency	0.001	\$1,574.00
TWX150*	Receiver Crystal Filter, 150 MHz Band			\$1,574.00

DUPLEXER MODEL NUMBER NOMENCLATURE



EXAMPLE:



NOTES:

Folded cavities are special coaxial cavities which are about 3/4 as long as a standard 1/4-wave cavity. Folded cavities are required where cavities are mounted on a 19" wide panel. Add 10% to standard pricing for folded cavities. Contact Telewave for special configurations. Mobile duplexers are provided with BNC connectors. Specify Type N if required.

SECTION 6**DUPLEXERS****BASE STATION DUPLEXERS 30-300 MHz**

Prices include interconnect cables and mounting rails or panels. Specify N, UHF, or 7-16 DIN connectors (option).

All duplexers are factory tuned to specified pass and reject frequencies. Custom configurations such as additional pass or notch filters available on request.

MODEL	DESCRIPTION	FREQ. RANGE	CAVITIES DIA.	NO.	MINIMUM SPACING	LIST PRICE	
TPRD-0354	Pass-Reject Base Station Duplexer	30-40 MHz	5"	4	600 KHz	\$3,908.00	
TPRD-0356			5"	6	300 KHz	\$5,858.00	
TPRD-0384			8"	4	300 KHz	\$4,739.00	
TPRD-0304			10"	4	275 KHz	\$5,518.00	
TPRD-0454		40-50 MHz	5"	4	600 KHz	\$3,131.00	
TPRD-0456			5"	6	300 KHz	\$4,690.00	
TPRD-0484			8"	4	300 KHz	\$3,961.00	
TPRD-0404			10"	4	275 KHz	\$4,763.00	
TPRD-0754		60-88 MHz	5"	4	600 KHz	\$1,987.00	
TPRD-0756			5"	6	300 KHz	\$2,857.00	
TPRD-0784			8"	4	300 KHz	\$2,662.00	
TPRD-0704			10"	4	275 KHz	\$3,075.00	
TPRD-1054		88-108 MHz	5"	4	600 KHz	\$1,987.00	
TPRD-1056			5"	6	300 KHz	\$2,857.00	
TPRD-1084			8"	4	300 KHz	\$2,662.00	
TPRD-1344C		Compact Pass-Reject Base Duplexer	118-136 MHz	4"	4	600 KHz	\$1,857.00
TPRD-1454	Pass-Reject Base Station Duplexer	118-148 MHz	5"	4	600 KHz	\$1,493.00	
TPRD-1484			8"	4	500 KHz	\$2,181.00	
TPRD-1486			8"	6	300 KHz	\$3,274.00	
TPRD-1444C	Compact Pass-Reject Base Duplexer	135-151 MHz	4"	4	600 KHz	\$1,707.00	
TPRD-1444CM			4"	4	600 KHz	\$1,861.00	
TPRD-1446C			4"	6	500 KHz	\$2,560.00	
TPRD-1544C	Compact Pass Reject Base Duplexer	148-174 MHz	4"	4	600 KHz	\$1,707.00	
TPRD-1544CM			4"	4	600 KHz	\$1,861.00	
TPRD-1544F			Folded Pass-Reject Base Duplexer	4"	4	2 MHz	\$1,609.00
TPRD-1546C			Compact Pass-Reject Base Duplexer	4"	6	500 KHz	\$2,560.00
TPRD-1554	Pass-Reject Base Station Duplexer	144-174 MHz	5"	4	600 KHz	\$1,493.00	
TPRD-1556			5"	6	400 KHz	\$2,418.00	
TPRD-1566	Pass-Reject Base Station Duplexer	148-174 MHz	6"	6	300 KHz	\$2,640.00	
TPRD-1584			8"	4	500 KHz	\$2,181.00	
TPRD-1586			8"	6	300 KHz	\$3,274.00	
TPCD-1553			Band-Pass Base Station Duplexer	5"	3	5 MHz	\$1,133.00
TPCD-1554				5"	4	4 MHz	\$1,493.00
TPCD-1556				5"	6	2 MHz	\$2,418.00
TPRD-2254	Pass-Reject Base Station Duplexer	200-300 MHz	5"	4	1.2 MHz	\$1,493.00	
TPRD-2284			8"	4	1 MHz	\$2,181.00	
TPRD-22612			6"	12	400 KHz	\$7,237.00	

SECTION 6**DUPLEXERS****BASE STATION DUPLEXERS 300-1300 MHz**

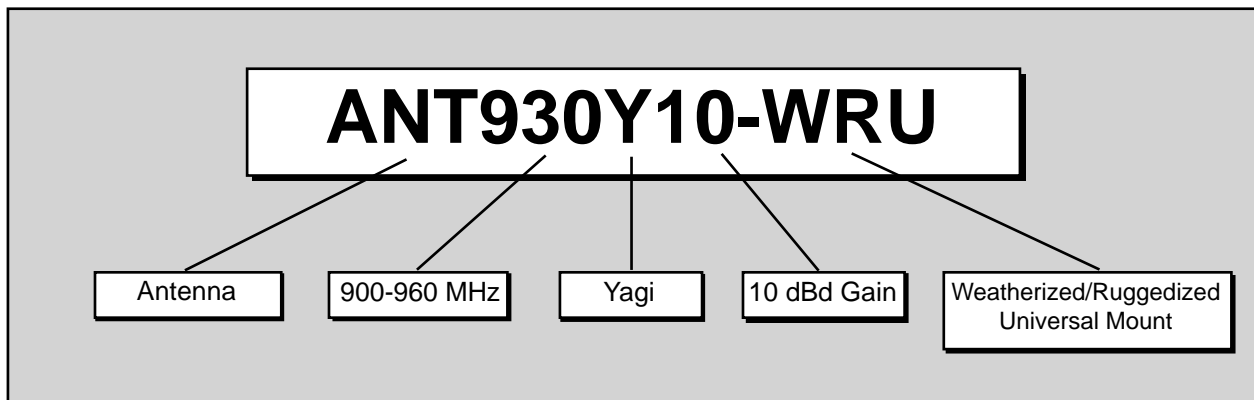
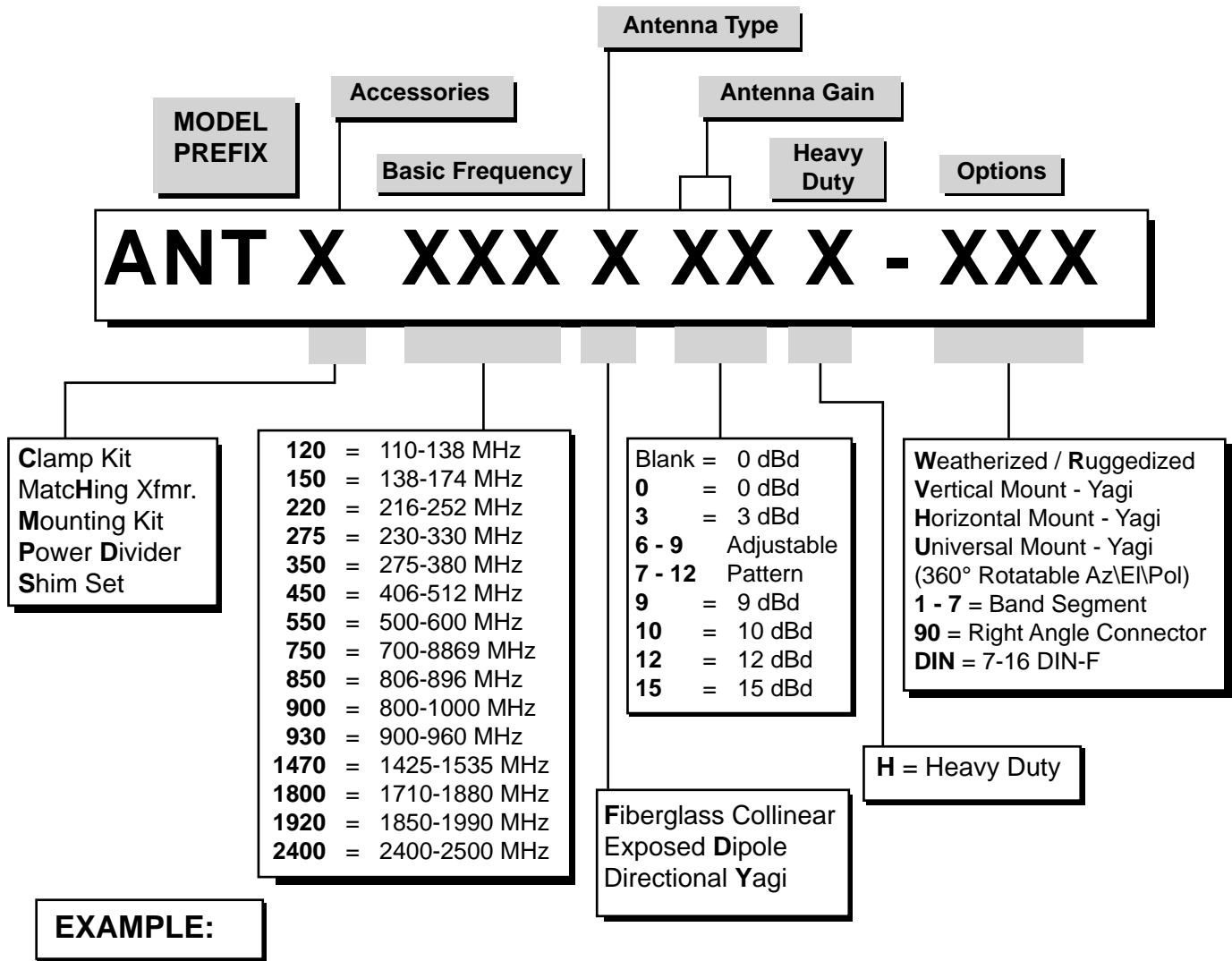
MODEL	DESCRIPTION	FREQ. RANGE	CAVITIES DIA.	NO.	MINIMUM SPACING	LIST PRICE
TPRD-3544	Pass-Reject Base Station Duplexer	300-400 MHz	4"	4	5 MHz	\$1,654.00
TPRD-3546			4"	6	5 MHz	\$2,140.00
TPRD-3844		370-430 MHz	4"	4	5 MHz	\$1,654.00
TPRD-3846			4"	6	5 MHz	\$2,140.00
TPRD-4544		400-470 MHz	4"	4	5 MHz	\$1,654.00
TPRD-4744		470-512 MHz	4"	4	3 MHz	\$1,654.00
TPRD-4546	Pass-Reject Base Station Duplexer	400-512 MHz	4"	6	3 MHz	\$2,418.00
TPCD-4554	Band-Pass Base Station Duplexer		5"	4	5 MHz	\$1,493.00
TPCD-4556			5"	6	5 MHz	\$2,258.00
TPRD-7644	Pass-Reject Base Station Duplexer	763-869 MHz	4"	4	30 or 45 MHz	\$1,818.00
TTPD-7642			4"	2	30 or 45 MHz	\$976.00
TTPD-7644	5 MHz Bandpass-Bandreject Duplexer		4"	4	30 or 45 MHz	\$1,818.00
TPRD-8642	Pass-Reject Base Station Duplexer	806-960 MHz	4"	2	5 MHz	\$976.00
TPRD-8644		763-869 MHz	4"	4	30 or 45 MHz	\$1,818.00
TTPD-8642	Pass-Reject Base Station Duplexer	806-960 MHz	4"	2	45 MHz	\$976.00
TTPD-8644	5 MHz Bandpass-Bandreject Duplexer		4"	4	45 MHz	\$1,818.00
TPCD-8626	Band-Pass Combine Duplexer		2"	6	45 MHz	\$1,818.00
TPCD-8626HP	500 Watt Combine Duplexer		2"	6	45 MHz	\$2,724.00
TPRD-9044	Pass-Reject Base Station Duplexer	890-960 MHz	4"	4	39, 3.6 MHz	\$1,818.00
TPRD-12044		1200-1300 MHz	4"	4	6, 12 MHz	\$1,818.00

COMPACT MOBILE DUPLEXERS - 70-960 MHz

Specify N-Female or BNC Female connectors.

MODEL	DESCRIPTION	FREQ. RANGE	CAVITIES DIA.	NO.	TX-RX SEP.	LIST PRICE
TMND-0716	Compact Mobile Notch Duplexer	70-78 MHz	1"	6	4 MHz	\$590.00
TMND-0816		77-85 MHz				\$590.00
TMND-1516		148-157 MHz				\$530.00
TMND-1616		156-165 MHz				\$530.00
TMND-1716		164-174 MHz				\$530.00
TMND-4416		440-450 MHz				5 MHz
TMND-4516		450-460 MHz			\$508.00	
TMND-4616		460-470 MHz			\$508.00	
TMND-4716		470-480 MHz			3 MHz	\$508.00
TMND-4816		480-490 MHz				\$508.00
TMND-4916		490-500 MHz				\$508.00
TMND-5016		500-512 MHz				\$508.00
TMND-7616		769-805 MHz			30 MHz	\$508.00
TMND-8616		806-869 MHz			45 MHz	\$508.00
TMND-9216		928-960 MHz			24 MHz	\$508.00

ANTENNA MODEL NUMBER NOMENCLATURE



SECTION 7**ANTENNAS****BASE STATION ANTENNAS - 118-960 MHz****FIBERGLASS COLLINEAR 500 WATTS OMNI PATTERNS**

Standard connector is a recessed N-Female. 7-16 DIN available (additional cost). Inverted mounting: specify "-INV".
Each antenna includes mounting clamps and a 24" N-Male to N-Male pigtail (except ANT960F0).

MODEL	FREQ. RANGE	GAIN	INSTALLED HEIGHT	SHIP WEIGHT	UPS	LIST PRICE
ANT125F2	118-136 MHz	2.5 dBd	77"	20 lb	Y	\$785.00
ANT135F2	125-150 MHz		72"	19 lb		\$785.00
ANT140F2	135-165 MHz		66"	17 lb		\$772.00
ANT150F2	148-174 MHz		60"	16 lb		\$787.00
ANT150F6-1	138-144 MHz	6 dBd	256"	65 lb	N	\$1,375.00
ANT150F6-2	144-151 MHz					\$1,375.00
ANT150F6-3	150-157 MHz					\$1,375.00
ANT150F6-4	156-164 MHz		244"	62 lb		\$1,375.00
ANT150F6-5	158-166 MHz					\$1,375.00
ANT150F6-6	161-168 MHz					\$1,375.00
ANT150F6-7	167-174 MHz					\$1,375.00
ANT220F2	195-260 MHz	2.5 dBd	48"	14 lb	Y	\$772.00
ANT220F6	216-225 MHz	6 dBd	171"	50 lb	N	\$1,375.00
ANT355F6	340-370 MHz	6 dBd	126"	30 lb	N	\$1,375.00
ANT385F6	370-400 MHz		115"	35 lb	N	\$1,152.00
ANT400F2	360-455 MHz	2.5 dBd	46"	14 lb	Y	\$600.00
ANT415F6	405-440 MHz	6 dBd	101"	28 lb	Y	\$1,051.00
ANT415F8	395-436 MHz	8 dBd	240"	60 lb	N	\$1,499.00
ANT425F2	380-470 MHz	2.5 dBd	42"	9 lb	Y	\$622.00
ANT440F6	440-465 MHz	6 dBd	96"	25 lb		\$1,009.00
ANT450F2	420-480 MHz	2.5 dBd	43"	14 lb		\$600.00
ANT450F6	445-480 MHz	6 dBd	94"	24 lb		\$948.00
ANT450F10	430-475 MHz	10 dBd	244"	50 lb	N	\$1,467.00
ANT480F2	450-512 MHz	2.5 dBd	39"	14 lb	Y	\$600.00
ANT500F6	470-512 MHz	6 dBd	89"	14 lb	Y	\$1,038.00
ANT500F10		10 dBd	244"	50 lb	N	\$1,467.00
ANT770F2	734-806 MHz	2.5 dBd	38"	9 lb	Y	\$567.00
ANT734-960F2	734-960 MHz					\$622.00
ANT770F6	746-806 MHz	6 dBd	56"	11 lb		\$1,042.00
ANT790F2	763-869 MHz	2.5 dBd	38"	9 lb		\$622.00
ANT850F2	806-896 MHz	2.5 dBd	38"	6 lb		\$567.00
ANT850F6		6 dBd	56"	11 lb		\$1,042.00
ANT850F10		10 dBd	88"	40 lb		\$1,658.00
ANT900F2	880-960 MHz	2.5 dBd	38"	6 lb		\$567.00
ANT940F6	870-965 MHz	6 dBd	56"	8 lb		\$1,042.00
ANT940F10	870-965 MHz	10 dBd	82"	12 lb		\$1,658.00
ANT960F0-1	900-930 MHz	2 dBd	15"	2 lb		\$88.00
ANT960F0-2	920-960 MHz					\$88.00

Y = UPS shippable

N = Not UPS shippable

SECTION 7

ANTENNAS

BASE STATION ANTENNAS - 33-405 MHz

DIPOLES AND DIPOLE ARRAYS 500 WATTS ADJUSTABLE PATTERNS

Standard connector is N-Male on a pigtail*. 7-16 DIN available (additional cost). All dipoles and arrays are field-configurable and UPS shippable (except 37D, 40D, 50D), and include clamps for mounting to an existing mast or other support. 2 and 4 bay arrays can be ordered with up to 15 degrees of electrical uptilt or downtilt.

MODEL	FREQ. RANGE	BAYS	GAIN	INSTALLED HEIGHT	SHIP WEIGHT	LIST PRICE
ANT37D	33.5-41 MHz	1	1 to 2.6 dBd	145"	80 lb	\$2,173.00
ANT40D	37-45 MHz			129"	74 lb	\$2,088.00
ANT50D	45-54 MHz			108"	69 lb	\$2,088.00
ANT70D	63-78 MHz	1	1 to 2.6 dBd	76"	36 lb	\$930.00
ANT75D	66-88 MHz			72"	30 lb	\$930.00
ANT90D	88-108 MHz	1	1 to 2.6 dBd	56"	27 lb	\$930.00
ANT120D	110-138 MHz			45"	9 lb	\$394.00
ANT150D	138-174 MHz	1	1 to 2.6 dBd	34"	8 lb	\$367.00
ANT150D3		2	3 to 6 dBd	91"	21 lb	\$747.00
ANT150D6-9		4	6 to 9 dBd	205"	34 lb	\$1,277.00
ANT150D7-12		8	7 to 12 dBd	433"	68 lb	\$2,552.00
ANT220D	216-252 MHz	1	1 to 2.6 dBd	23"	8 lb	\$391.00
ANT220D3		2	3 to 6 dBd	61"	20 lb	\$664.00
ANT220D6-9		4	6 to 9 dBd	137"	32 lb	\$1,313.00
ANT220D7-12		8	7 to 12 dBd	300"	64 lb	\$2,622.00
ANT275D	230-330 MHz	1	1 to 2.6 dBd	19"	8 lb	\$403.00
ANT275D3		2	3 to 6 dBd	51"	18 lb	\$677.00
ANT275D6-9		4	6 to 9 dBd	115"	30 lb	\$1,291.00
ANT275D7-12		8	7 to 12 dBd	220"	60 lb	\$2,582.00
ANT350D	300-360 MHz	1	1 to 2.6 dBd	17"	7 lb	\$391.00
ANT350D3		2	3 to 6 dBd	44"	16 lb	\$664.00
ANT350D6-9		4	6 to 9 dBd	98"	27 lb	\$1,145.00
ANT350D7-12		8	7 to 12 dBd	178"	54 lb	\$2,291.00
ANT375D	345-405 MHz	1	1 to 2.6 dBd	15"	7 lb	\$290.00
ANT375D3		2	3 to 6 dBd	39"	15 lb	\$684.00
ANT375D6-9		4	6 to 9 dBd	87"	25 lb	\$1,145.00
ANT375D7-12		8	7 to 12 dBd	161"	50 lb	\$2,291.00

* 8 bay arrays terminate with N-Female or DIN-F on power divider.

SECTION 7**ANTENNAS****BASE STATION ANTENNAS - 360-1000 MHz****DIPOLES AND DIPOLE ARRAYS 500 WATTS ADJUSTABLE PATTERNS**

Standard connector is N-Male on a pigtail*. 7-16 DIN available (additional cost). All dipoles and arrays are field-configurable and UPS shippable, and include clamps for mounting to an existing mast or other support. 2 and 4 bay arrays can be ordered with up to 15 degrees of electrical uptilt or downtilt.

MODEL	FREQ. RANGE	BAYS	GAIN	INSTALLED HEIGHT	SHIP WEIGHT	LIST PRICE
ANT400D	360-450 MHz	1	1 to 2.6 dBd	14"	7 lb	\$290.00
ANT400D3		2	3 to 6 dBd	36"	15 lb	\$684.00
ANT400D6-9		4	6 to 9 dBd	80"	24 lb	\$1,145.00
ANT400D7-12		8	7 to 12 dBd	168"	48 lb	\$2,291.00
ANT425D	380-470 MHz	1	1 to 2.6 dBd	13"	7 lb	\$303.00
ANT425D3		2	3 to 6 dBd	50"	15 lb	\$704.00
ANT425D6-9		4	6 to 9 dBd	95"	32 lb	\$1,166.00
ANT450D	406-512 MHz	1	1 to 2.6 dBd	12"	6 lb	\$290.00
ANT450D3		2	3 to 6 dBd	31"	19 lb	\$684.00
ANT450D6-9		4	6 to 9 dBd	69"	21 lb	\$1,145.00
ANT450D7-12		8	7 to 12 dBd	145"	42 lb	\$2,291.00
ANT500D	470-550 MHz	1	1 to 2.6 dBd	11"	5 lb	\$290.00
ANT500D3		2	3 to 6 dBd	28"	18 lb	\$684.00
ANT500D6-9		4	6 to 9 dBd	62"	22 lb	\$1,145.00
ANT500D7-12		8	7 to 12 dBd	180"	44 lb	\$2,291.00
ANT550D	500-600 MHz	1	1 to 2.6 dBd	10"	5 lb	\$290.00
ANT550D3		2	3 to 6 dBd	26"	16 lb	\$684.00
ANT550D6-9		4	6 to 9 dBd	58"	22 lb	\$1,145.00
ANT550D7-12		8	7 to 12 dBd	174"	44 lb	\$2,291.00
ANT750D	700-825 MHz	1	1 to 2.6 dBd	8"	3 lb	\$307.00
ANT750D3		2	3 to 6 dBd	19"	6 lb	\$691.00
ANT750D6-9		4	6 to 9 dBd	42"	12 lb	\$1,157.00
ANT750D7-12		8	7 to 12 dBd	91"	22 lb	\$2,457.00
ANT900D	800-1000 MHz	1	1 to 2.6 dBd	7"	5 lb	\$323.00
ANT900D3		2	3 to 6 dBd	17"	10 lb	\$701.00
ANT900D6-9		4	6 to 9 dBd	37"	20 lb	\$1,192.00
ANT900D7-12		8	7 to 12 dBd	86"	40 lb	\$2,384.00

* 8 bay arrays and ANT900Dxx terminate with N-Female or DIN-F on power divider.

SECTION 7

ANTENNAS

BASE STATION ANTENNAS - 138-2500 MHz DIRECTIONAL YAGI 500 WATTS

Yagi antennas ship standard with a vertical mounting plate. Options **-H** = Horizontal welded plate (special order), or **-U** = Universal mount. For horizontal mounting of a standard yagi, use ANTM400H or 940H. All models are UPS shippable. Standard connector N-Female. 7-16 DIN available (additional cost).

MODEL	NOTE	FREQ. RANGE	GAIN	LENGTH	SHIP WEIGHT	LIST PRICE
ANT144Y5-WR (H)	4	138-152 MHz	5 dBd	38"	20 lb	\$660.00
ANT150Y7-WR (H)		148-174 MHz			19 lb	\$636.00
ANT150Y10H	3	144-174 MHz	10 dBd	96"	37 lb	\$1,283.00
ANT220Y7-WR (H)	4	216-240 MHz	5 dBd	30"	16 lb	\$462.00
ANT410Y10-WR (H) (U)		405-420 MHz	10 dBd	45"	9 lb	\$421.00
ANT420Y10-WR (H) (U)		415-450 MHz		41"		\$421.00
ANT430Y10-WR (H) (U)		420-440 MHz		45"		\$421.00
ANT440Y10-WR (H) (U)		438-455 MHz		45"		\$421.00
ANT450Y5-WR (H) (U)	1	420-470 MHz	5 dBd	24"	5 lb	\$323.00
ANT450Y7-WR (H) (U)		450-470 MHz	7 dBd	29"	4 lb	\$362.00
ANT450Y10-WR (H) (U)		450-470 MHz	10 dBd	45"	9 lb	\$421.00
ANT490Y10-WR (H) (U)		470-500 MHz		45"		\$421.00
ANT500Y10-WR (H) (U)		485-512 MHz		45"		\$421.00
ANT750Y5-WR (H) (U)	2	734-806 MHz	5 dBd	12"	5 lb	\$424.00
ANT830Y10-WR (H) (U)	2	800-870 MHz	10 dBd	27"	7 lb	\$314.00
ANT850Y10-WR (H) (U)		824-896 MHz		23"		\$314.00
ANT930Y10-WR (H) (U)		885-975 MHz		28.5"		\$283.00
ANT930Y12-WR (H) (U)	1	880-960 MHz	12 dBd	44"	18 lb	\$761.00
ANT1470Y12-WR (U)*	2	1425-1535 MHz	12 dBd	26.5"	6 lb	\$293.00
ANT1800Y10-WR (U)*	2	1710-1880 MHz	10 dBd	19"	6 lb	\$274.00
ANT1920Y9-WR (U)*		1850-1990 MHz	9.3 dBd	10"	5 lb	\$253.00
ANT1920Y12-WR (U)*		1850-1990 MHz	12 dBd	23"	6 lb	\$374.00
ANT2045Y12-WR (U)*	2	1920-2170 MHz	12 dBd	23"	6 lb	\$374.00
ANT2400Y12-WR (U)*		2400-2500 MHz		16"		\$374.00

- NOTES:**
- (1) Add \$97.00 for Universal Mount.
 - (2) Add \$85.00 for Universal Mount.
 - (3) The ANT150Y10H includes a massive rotatable mount which allows vertical or horizontal polarization. The universal option is not available.
 - (4) Universal option is not available.

* Antennas from 1470-2500 MHz have no welded plate and can be hand held or rotated for V or H polarization. A U-clamp is included.

SECTION 7**ANTENNAS****WIDEBAND ANTENNAS**

MODEL	FREQ. RANGE	GAIN	DESCRIPTION	SHIP WEIGHT	LIST PRICE
ANT280S	118 MHz - 3.0 GHz	0 dBd	Wideband discone	20 lb	\$1,590.00
ANT500WR	500 MHz - 3.0 GHz	4-7 dBi dep. on freq.	Compact wideband directional	12 lb	\$1,580.00

ANTENNA MOUNTING HARDWARE

MODEL	DESCRIPTION	SHIP WEIGHT	UPS	LIST PRICE
ANTM010	10 foot 1.5" dia. Schd. 40 Galvanized Steel mast (1.9" O.D.)	28 lb	Y	\$101.00
ANTM020	21 foot 2" dia. Schd. 40 Galvanized Steel mast (2.375" O.D.)	77 lb	N	\$228.00
ANTS420	Mast clamps shim set (2) for Dipoles on 1.25" O.D. tower legs	1 lb	Y	\$21.00
ANTM431	Mast top support bracket for Dipoles	9 lb		\$189.00
ANTM432	Insulated antenna top support for Collinears	4 lb		\$189.00
ANTM433	Antenna side mount kit for Collinear or Dipole	12 lb		\$249.00
ANTM434	Adjustable side mount stand-off clamp kit	57 lb	N	\$787.00
ANTM434-M	Adjustable stand-off side mount kit with support booms	97 lb		\$1,352.00
ANTM435	Single side mount assembly	29 lb	Y	\$336.00
ANTC480	Dual Mounting Clamp for ANT280S	10 lb	Y	\$105.00
ANTC482	Dual Mounting clamp for Collinears - Center clamps not welded	12 lb	Y	\$162.00
ANTC483	Dual Mounting clamp kit for Fiberglass Collinear antennas			\$162.00
ANTC483SS	ANTC483 Clamp Kit - Stainless Steel			\$513.00
ANTC484	Single mounting clamp for side mount antennas	5 lb	Y	\$53.00
ANTC485	Dual U-bolt clamp set for F2 Collinear antennas	3 lb		\$62.00
ANTM400H	Horizontal mounting bracket for large Yagi antennas For 144-220Y5/Y7, 400-500Y5/Y7/Y10, and 930Y12	2 lb		\$62.00
ANTM940H	Horizontal mount for medium Yagi antennas For 750-850Y10 and 930/940Y10			\$52.00

Y = UPS shippable
N = Not UPS shippable

SECTION 7**POWER DIVIDERS****POWER DIVIDERS 24-2500 MHZ 500 WATTS N-FEMALE and 7-16 DIN**

Frequency range shown is 1.5:1 VSWR bandwidth. Typical response is <1.2:1 at band center.

All power dividers are UPS shippable. 5-way and 6-way dividers are available as a special order.

DESCRIPTION	FREQ.	N FEMALE	SHIP WT	LIST PRICE	7-16 DIN	SHIP WT	LIST PRICE
2-Way Power Divider	24-54 MHz	ANTPD204	10 lb	\$259.00	ANTPD204D	11 lb	\$325.00
2-Way Power Divider	45-72 MHz	ANTPD206	7 lb	\$259.00	ANTPD206D	8 lb	\$325.00
2-Way Power Divider	65-110 MHz	ANTPD208	7 lb	\$220.00	ANTPD208D	7.5 lb	\$286.00
3-Way Power Divider		ANTPD308		\$265.00	ANTPD308D		\$347.00
4-Way Power Divider		ANTPD408		\$289.00	ANTPD408D		\$388.00
2-Way Power Divider	90-210 MHz	ANTPD21	4.5 lb	\$164.00	ANTPD21D	5 lb	\$222.00
3-Way Power Divider		ANTPD31		\$231.00	ANTPD31D		\$310.00
4-Way Power Divider		ANTPD41		\$246.00	ANTPD41D		\$342.00
2-Way Power Divider	180-250 MHz	ANTPD22	3.5 lb	\$164.00	ANTPD22D	4 lb	\$222.00
3-Way Power Divider		ANTPD32		\$231.00	ANTPD32D		\$310.00
4-Way Power Divider		ANTPD42		\$246.00	ANTPD42D		\$342.00
2-Way Power Divider	250-450 MHz	ANTPD23	3 lb	\$164.00	ANTPD23D	3.5 lb	\$222.00
3-Way Power Divider		ANTPD33		\$231.00	ANTPD33D		\$310.00
4-Way Power Divider		ANTPD43		\$246.00	ANTPD43D		\$342.00
2-Way Power Divider	350-600 MHz	ANTPD24	2 lb	\$149.00	ANTPD24D	3 lb	\$208.00
3-Way Power Divider		ANTPD34		\$222.00	ANTPD34D		\$303.00
4-Way Power Divider		ANTPD44		\$240.00	ANTPD44D		\$337.00
2-Way Power Divider	675-850 MHz	ANTPD27	1.5 lb	\$149.00	ANTPD27D	2.5 lb	\$208.00
3-Way Power Divider		ANTPD37		\$222.00	ANTPD37D		\$303.00
4-Way Power Divider		ANTPD47		\$240.00	ANTPD47D		\$337.00
2-Way Power Divider	760-920 MHz	ANTPD28	1.5 lb	\$149.00	ANTPD28D	2.5 lb	\$208.00
3-Way Power Divider		ANTPD38		\$222.00	ANTPD38D		\$303.00
4-Way Power Divider		ANTPD48		\$240.00	ANTPD48D		\$337.00
2-Way Power Divider	900-1100 MHz	ANTPD29	1.5 lb	\$149.00	ANTPD29D	2.5 lb	\$208.00
3-Way Power Divider		ANTPD39		\$222.00	ANTPD39D		\$303.00
4-Way Power Divider		ANTPD49		\$240.00	ANTPD49D		\$337.00
2-Way Power Divider	1350-1600 MHz	ANTPD214	1 lb	\$149.00	ANTPD214D	2 lb	\$208.00
3-Way Power Divider		ANTPD314		\$222.00	ANTPD314D		\$303.00
4-Way Power Divider		ANTPD414		\$240.00	ANTPD414D		\$337.00
2-Way Power Divider	1700-2050 MHz	ANTPD218	1 lb	\$149.00	ANTPD218D	2 lb	\$208.00
3-Way Power Divider		ANTPD318		\$222.00	ANTPD318D		\$303.00
4-Way Power Divider		ANTPD418		\$240.00	ANTPD418D		\$337.00
2-Way Power Divider	2000-2500 MHz	ANTPD224	1 lb	\$149.00	ANTPD224D	2 lb	\$208.00
3-Way Power Divider		ANTPD324		\$222.00	ANTPD324D		\$303.00
4-Way Power Divider		ANTPD424		\$240.00	ANTPD424D		\$337.00

SECTION 7**COUPLERS / JUNCTIONS / EZ-MATCH****CROSSBAND COUPLERS**

Standard connectors are N-Female. DIN-F optional.

MODEL	DESCRIPTION	FREQ. RANGE	TX POWER	LIST PRICE	
TS-1545	Crossband Coupler	132-174 & 406-470 MHz	150 Watts	\$374.00	
TS-1545H			400 Watts	\$457.00	
TS-1546		132-174 & 450-512 MHz	150 Watts	\$374.00	
TS-1546H			400 Watts	\$457.00	
TS-1570		132-174 & 763-869 MHz	150 Watts	\$374.00	
TS-1570H			400 Watts	\$457.00	
TS-1580		132-174 & 806-902 MHz	150 Watts	\$374.00	
TS-1580H			400 Watts	\$457.00	
TS-1590		132-174 & 850-960 MHz	150 Watts	\$374.00	
TS-1590H			400 Watts	\$457.00	
TS-2246		219-225 & 406-512 MHz	150 Watts	\$374.00	
TS-2246H			400 Watts	\$457.00	
TS-4670		440-470 & 763-869 MHz	400 Watts	\$374.00	
TS-4680		440-470 & 806-870 MHz		\$374.00	
TS-4690		440-470 & 896-932 MHz		\$374.00	
TS-4770		470-512 & 763-869 MHz		\$374.00	
TS-4780		470-512 & 896-932 MHz		\$374.00	
TS-154676		Triband / Crossband Coupler		150-174 / 450-470 / 763-869 MHz	400 Watts

COMBINER JUNCTIONS

Standard connectors are N-Female. DIN-F optional.

MODEL	DESCRIPTION	FREQ. RANGE	TX POWER	LIST PRICE
TW4-50	4-Way Junction	30-54 MHz	400 Watts	\$314.00
TW4-150	4-Way Junction	70-250 MHz		\$314.00
TW6-150	6-Way Junction			\$355.00
TW4-450	4-Way Junction	300-512 MHz		\$314.00
TW6-450	6-Way Junction			\$355.00
TW4-800	4-Way Junction	806-960 MHz		\$314.00
TW4-800S	4-Way Junction with sampling port			\$355.00
TW5-800	5-Way Junction			\$355.00
TRS-890	RF Sample Port, BNC output, -30 to -60 dB. Must specify freq. and coupling factor.			\$135.00
TRS-890-20	RF Sample Port, BNC output, -20 dB. Must specify freq.			\$202.00
TW-716	Add 7-16 DIN output to any junction			\$164.00

EZ-MATCH

Standard connectors are N-Female. DIN-F optional.

MODEL	DESCRIPTION	FREQ. RANGE	TX POWER	LIST PRICE
TZM-50	E-Z Match - Transmitter to Load	30-54 MHz	400 Watts	\$180.00
TZM-150		144-174 MHz		\$180.00
TZM-450		400-512 MHz		\$180.00
TZM-860		800-960 MHz		\$180.00

CABLES AND CONNECTORS**CABLE ASSEMBLIES**

MODEL	CABLE	CONNECTORS	LIST PRICE		
			2' (0.6m)	5' (1.5m)	10' (3.0m)
ANTA-01- (2) (5) (10)	RG-213/U	UHF Male - UHF Male	\$48.00	\$52.00	\$62.00
ANTA-02- (2) (5) (10)		N Male - N Male	\$50.00	\$55.00	\$63.00
ANTA-03- (2) (5) (10)		N Male - N Female	\$50.00	\$55.00	\$63.00
ANTA-04- (2) (5) (10)		N Female - N Female	\$50.00	\$55.00	\$63.00
ANTA-05- (2) (5) (10)		N Male - UHF Male	\$50.00	\$52.00	\$63.00
ANTA-06- (2) (5) (10)		N Female - UHF Male	\$50.00	\$52.00	\$63.00
ANTB-01- (2) (5) (10)	RG-214/U	N Male - N Male	\$63.00	\$83.00	\$98.00
ANTB-03- (2) (5) (10)		N Male - N Female	\$63.00	\$83.00	\$98.00
ANTB-04- (2) (5) (10)		N Female - N Female	\$63.00	\$83.00	\$98.00
ANTB-05- (2) (5) (10)		N Male - UHF Male	\$63.00	\$83.00	\$98.00
ANTB-06- (2) (5) (10)		N Female - UHF Male	\$63.00	\$83.00	\$98.00
ANTD-01- (2) (5) (10)	RG-142B/U	UHF Male - UHF Male	\$61.00	\$77.00	\$94.00
ANTD-03- (2) (5) (10)		N Male - N Male	\$61.00	\$77.00	\$94.00
ANTD-04- (2) (5) (10)		N Male - N Female	\$61.00	\$77.00	\$94.00
ANTD-08- (2) (5) (10)		N Female - N Female	\$61.00	\$77.00	\$94.00
ANTD-09- (2) (5) (10)		N Male - UHF Male	\$61.00	\$77.00	\$94.00
ANTD-10- (2) (5) (10)		N Female - UHF Male	\$61.00	\$77.00	\$94.00
ANTE-01- (2) (5) (10)	RG-393/U	7-16 DIN Male - Male	\$265.00	\$314.00	\$391.00
ANTE-02- (2) (5) (10)		7-16 DIN Male - R/A Male	\$321.00	\$350.00	\$421.00
ANTE-03- (2) (5) (10)		7-16 DIN R/A Male - R/A Male	\$364.00	\$408.00	\$436.00

CABLE ASSEMBLY ORDERING INFORMATION

Length in feet follows model number. Example: RG-214, N-male, 5 feet = "**ANTB-03-5**".

Approximate shipping weight: ANTA / ANTB / ANTE = 0.5 lb (0.2 kg) per ft. ANTD = 0.25 lb (0.1 kg) per ft.

MODEL	DESCRIPTION	LIST PRICE
TW2	Custom Jumper cables - Contact Telewave for pricing	
CBL213	RG-213 Type coaxial cable, per foot	\$5.00
CBL214T	RG-214T Coaxial cable per foot	\$6.00
TRG214	RG-214 Coaxial cable, per foot, Mil Spec, Silver Plate	\$13.00
TSFXC	FSJ4-50B 1/2" Superflex cable, per foot (not assembled)	\$13.00
UG21-SFX	Male Connector for Superflex. Gold plated pin. (Quantity pricing avail.)	\$23.00
UG-21	Adapter - N Female to UHF Male	\$10.00
TWEMMS	"Short" elbow adaptor N-Male to N-Male (CO038) 1-3/8" L	\$32.00
TWEMML	"Long" elbow adaptor N-Male to N-Male (CO039) 1-5/8" L	\$32.00

NOTES:

- 1) Custom cables available, and connectors can be supplied loose to allow critical-length cutting in the field.
- 2) Prices subject to change without notice based on availability and precious metal content.

TELEWAVE, INC. 660 Giguere Court San Jose, CA 95133 Toll Free: **1-800-331-3396** Direct: 408-929-4400 Fax: 408-929-4080

<http://www.telewave.com>

50

Email: sales@telewave.com