

# ANT120D, D3 DIPOLE AND DIPOLE ARRAY

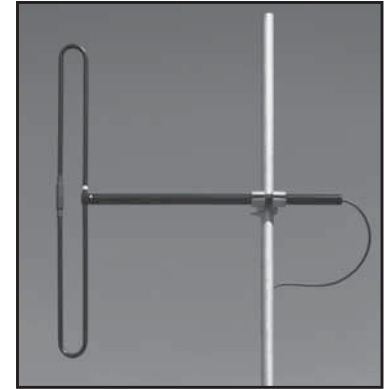
The Telewave ANT120D series consists of a rugged, high-performance single dipole and dual dipole array with a precision phasing harness, designed for aircraft communications, telemetry, and military applications. The horizontal pattern is adjustable, and each element can be configured for increased gain and pattern control.

Each dipole element is constructed with 6061-T6 aluminum, and welded at the base for maximum strength. Each element is also completely sealed with our high-tech Txylan™ coating, which resists water and ice buildup, and provides exceptional protection from corrosive gases, UV

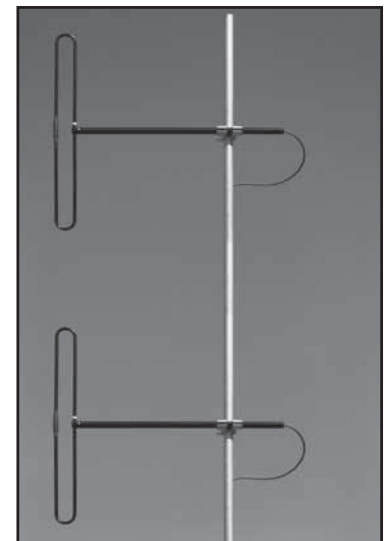
radiation, salt spray, acid rain and windblown abrasives. The phasing harness is fully sealed by Telewave's Millenium Seal™ technology.

All components are at DC ground potential for lightning protection. Each dipole element includes a heavy-duty custom clamp set for mounting to a 1.5"-2.5" diameter galvanized steel support pipe or tower leg.

Up to 15 degrees of electrical uptilt or downtilt may be specified for D3 models. Desired tilt angle must be included with the order, and consultation with our antenna engineering staff is requested.



ANT120D



ANT120D3  
(Harness not shown)  
Support mast is customer-supplied

COMMON SPECIFICATIONS			
Frequency (continuous)	110-138 MHz	Lightning protection	DC Ground
Power rating (typ.)	500 watts	Wind rating (D/D3)	150/125 MPH
Impedance	50 ohms	(with 0.5" ice) (D/D3)	125/100 MPH
VSWR	1.5:1 or less		
Pattern	Adjustable: Offset circular, cardioid, or bidirectional		
Termination	N-Male or 7-16 DIN (opt.) on harness feed cable		
MODEL SPECIFICATIONS		ANT120D	ANT120D3
Gain (dependent on pattern)		1-2.5 dBd	3-5.6 dBd
Vertical beamwidth (3/8 wl.)		78°	34°
Dimensions (H x D) max		45 x 45 in.	119 x 45 in.
Weight (antenna + clamps)		7 lb.	15 lb.
Maximum exposed area		0.91 ft. <sup>2</sup>	1.9 ft. <sup>2</sup>
Lateral thrust at 100 MPH		36 lb.	75 lb.
Electrical uptilt / downtilt		N/A	1-15°

