

# INSTALLATION GUIDE FOR YAGI ANTENNAS

## WARNING:

For your safety, do not install any antenna near power lines, and carefully follow all installation instructions. If the antenna falls toward or contacts any overhead wires, immediately let go and stay away. Call the utility company for assistance. Always use safety devices for tower climbing. Ensure that the tower structure is well grounded for lightning protection.

### BEFORE ASSEMBLING AND MOUNTING:

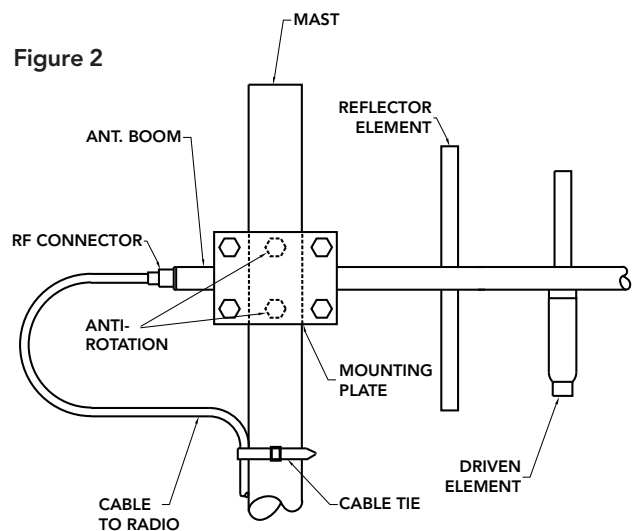
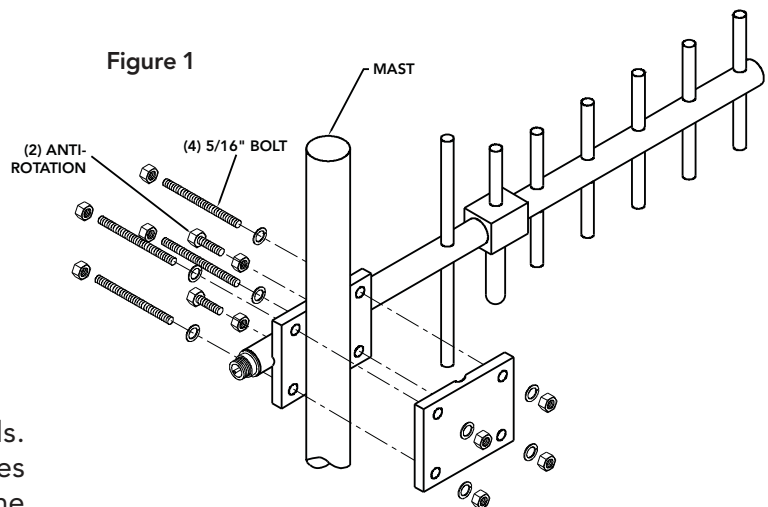
Carefully read all instructions and study the diagrams. Check to make sure you have all parts.

### PARTS LIST (Fig. 1)

- (1) Antenna assy.
- (1) Mounting plate
- (4) 5/16-18 x 4.0" threaded rod
- (2) 5/16-18 x 1.0" bolt
- (10) 5/16" Hex nuts
- (8) 5/16" Lock washers
- (1) Anti-seize compound

### MOUNTING INSTRUCTIONS

1. Apply anti-seize compound to all rod ends. Attach mounting and antenna boom plates to the mast with (4) 5/16" rods per Fig. 1. The mounting and boom plates are grooved to provide self alignment for vertical orientation. The driven element radome should be pointing down.
2. Tighten the hex nuts until all lock washers are flat, then add 1/2 turn to each. Tighten the anti-rotation bolts and jam nuts to resist turning forces on the antenna.
3. The antenna input connector is a Type N or 7-16 DIN Female. Connect the RF feed cable to the antenna output connector. Secure all cables with cable ties. Fig. 2 illustrates a typical method for connecting the RF cable, with a feed cable service loop.
4. Be sure to properly seal the input connector with waterproof tape or other sealing material. See Telewave TWDS-0502 for a recommended method of connector sealing.



Note: Driven element with radome should be pointing down for vertical polarization.