

INSTALLATION GUIDE FOR YAGI ANTENNAS

WARNING:

For your safety, do not install any antenna near power lines, and carefully follow all installation instructions. If the antenna falls toward or contacts any overhead wires, immediately let go and stay away. Call the utility company for assistance. Always use safety devices for tower climbing. Ensure that the tower structure is well grounded for lightning protection.

BEFORE ASSEMBLING AND MOUNTING:

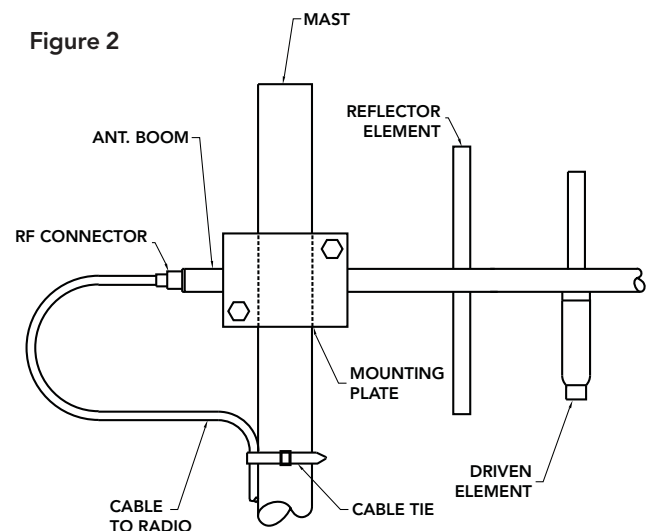
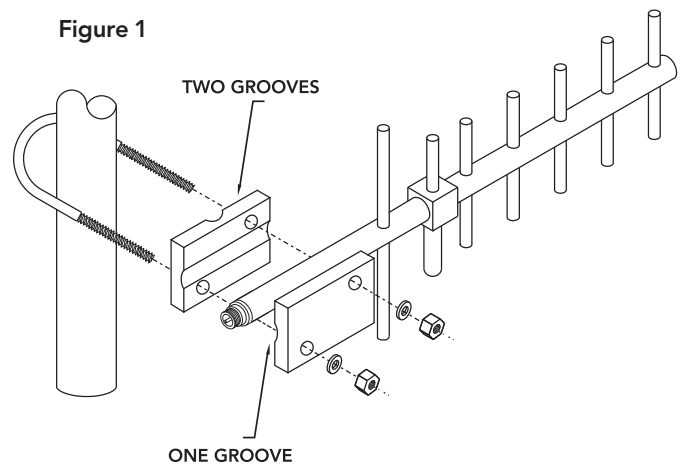
Carefully read all instructions and study the diagrams. Check to make sure you have all parts.

PARTS LIST (Figure 1)

- (1) Antenna assy.
- (2) Mounting plates
- (1) 5/16-18 U-bolt
- (2) 5/16" Hex nuts
- (2) 5/16" Lock washers
- (1) Anti-seize compound

MOUNTING INSTRUCTIONS

1. Apply anti-seize compound to U-bolt ends. Loosely attach mounting plate with 2 grooves and antenna clamp plate to the mast with U-bolt per Fig. 1. Slide the antenna boom end into the groove in the mounting plates, and rotate the antenna elements according to the requirements of the application. The driven element radome should be pointing down for vertical operation.
2. Tighten the hex nuts until the lock washers are flat, then add 1/2 turn.
3. The antenna input connector is a Type N or 7-16 DIN Female. Connect the RF feed cable to the antenna input connector. Secure all cables with cable ties. Fig. 2 illustrates a typical method for connecting the RF cable, with a feed cable service loop.
4. Be sure to properly seal the input connector with waterproof tape or other sealing material. See Telewave TWDS-0502 for a recommended method of connector sealing.



Note: Driven element with radome should be pointing down for vertical polarization.